

# Bike Horizontal

# Bicicleta Horizontal

# Bicicleta Horizontal

Instruction Manual / Manual de Instrucciones / Manual de Instrução





It is with great pleasure that we offer you the opportunity, guidance and encouragement to practice aerobic and muscular exercises, getting like this, the physical preparation needed to feel good.

We guarantee a reliable and modern product, produced with high technology for people who care about their well-being.

This manual covers the main information, the basic structure and the main operation and preventive maintenance. It will help you familiarize yourself with all the equipment functions, for you enjoy it for a long time.

Es con gran placer que le ofrecemos, orientación, estímulo y oportunidad de practicar ejercicio aeróbico y muscular, ganando la preparación física necesaria para sentirse bien.

Nosotros garantizamos un producto confiable y moderno, producido con alta tecnología por personas que se preocupan por su bienestar.

Este manual cubre los datos clave, la estructura básica y principales procedimientos de operación y mantenimiento preventivo. Te ayudará a familiarizarse con todas las funciones del equipo para asegurar que usted disfrute de su producto por mucho tiempo.

É com grande prazer que lhe oferecemos orientação, incentivo e a oportunidade de praticar exercícios aeróbicos e musculares, adquirindo a preparação física necessária para se sentir bem.

Garantimos um produto confiável e moderno, produzido com alta tecnologia por pessoas que se preocupam com o seu bem-estar.

Este manual aborda os principais dados, estrutura básica e principais procedimentos de operação e manutenção preventiva. Ele o ajudará a se familiarizar com todas as funções do equipamento para garantir que você aproveite seu produto por muito tempo.



## ATTENTION / ATENCIÓN / ATENÇÃO

Carefully read the safety and usage guidelines contained herein. Follow the guidelines for correct assembly of the product.

**Caution:** Do not push any objects into the openings of the product. Stay clear of moving parts.

**Safety and security:** it is the owner's responsibility to ensure that all users are properly informed about safety precautions, use, maintenance and care of the product.

Lea cuidadosamente las instrucciones de seguridad y uso contenidas en el presente documento. Siga las instrucciones para el correcto montaje del producto.

**Precaución:** No introduzca ningún objeto en las aberturas del producto. Manténgase alejado de las piezas móviles.

**Protección y seguridad:** es responsabilidad del propietario asegurarse de que todos los usuarios estén bien informados sobre las precauciones de seguridad, uso, mantenimiento y cuidado del producto.

Leia atentamente as instruções de segurança e uso contidas neste documento. Siga as instruções para a montagem correta do produto.

Atenção: Não insira nenhum objeto nas aberturas do produto. Fique longe de peças móveis.

Segurança e Proteção: É responsabilidade do proprietário garantir que todos os usuários estejam totalmente informados sobre as precauções de segurança, uso, manutenção e cuidados com o produto.



**Inappropriate use for children and animals.**

**El uso inapropiado para los niños y los animales.**

**Uso inadequado para crianças e animais.**



**MAX  
110kg  
242 lbs**



# CONTENTS

## SUMARIO

<b>english</b>	SAFETY INFORMATION . . . . .	7
	COMPONENTS AND TECHNICAL SPECIFICATIONS . . . . .	8
	ASSEMBLY . . . . .	9
	MONITOR . . . . .	13
	PREVENTIVE MAINTENANCE . . . . .	14
	WARRANTY . . . . .	15
<hr/>		
<b>español</b>	INFORMACIÓN DE SEGURIDAD . . . . .	17
	COMPONENTES Y ESPECIFICACIONES TÉCNICAS . . . . .	18
	MONTAJE . . . . .	19
	MONITOR . . . . .	23
	MANTENIMIENTO PREVENTIVO . . . . .	24
	GARANTÍA . . . . .	25
<hr/>		
<b>português</b>	INFORMAÇÕES DE SEGURANÇA . . . . .	27
	COMPONENTES E ESPECIFICAÇÕES TÉCNICAS . . . . .	28
	MONTAGEM . . . . .	29
	MONITOR . . . . .	33
	MANUTENÇÃO PREVENTIVA . . . . .	34
	GARANTIA . . . . .	35





## SAFETY INFORMATION

Please read this manual before using the product and retain it for future reference to avoid the risk of heating, fire, electric shock, or injury.

It is the owner's responsibility to ensure that all users of the equipment are adequately informed of the safety precautions.

If the equipment is not in perfect condition, call a technical assistant.

### General Considerations

- Place the bicycle on a flat surface at least 30cm away from any wall, keeping the lower part free from any obstacles.
- Never allow more than one person to use the elliptical at the same time.
- Consult your doctor before starting and during any exercise program. Special attention should be given to children, pregnant women, the elderly, people with heart problems and people with disabilities.
- The values indicated on the monitor are reference points, they cannot be considered with sufficient precision for clinical evaluation.
- Keep away from equipment, children and pets, especially during use and do not insert objects into the holes in the equipment.
- Use suitable sportswear. Do not wear loose clothing that can get caught in the equipment. To exercise, always wear shoes, do not walk barefoot or with sandals.
- This device is not intended to be used by people whose physical or mental capacities are reduced or inexperienced, unless they are supervised by a responsible person.
- Children must be supervised to ensure that they do not play with the appliance.

### Observations

A. Manufacturer / Distributor is not responsible for accidents and their consequences arising from the violation of the original characteristics or assembly outside the factory settings of their products.

B. Reseller or Authorized Technical Assistance is authorized to change these Terms or make commitments on behalf of the Manufacturer / Distributor.

C. Customer is responsible for unfounded technical call costs.

**NOTE:** Figures and photos in this manual are for illustrative purposes only. The Manufacturer / Distributor reserves the right to make changes to the product without prior notice. This manual may illustrate options that are not part of the purchased equipment.

# COMPONENTS AND TECHNICAL SPECIFICATIONS



1. Monitor
2. Handlebar
3. Tension control
4. Tower
5. Pedal
6. Front feet
7. Main frame
8. Hand grip
9. Seat
10. Backrest
11. Rear feet

Product		Packaged	
Net weight (approximate)	28 kg	Gross weight	31 kg
Maximum width	640 mm	Width (carton box)	250 mm
Maximum length	930 mm	Height (carton box)	530 mm
Maximum height	1400 mm	Length (carton box)	1175mm

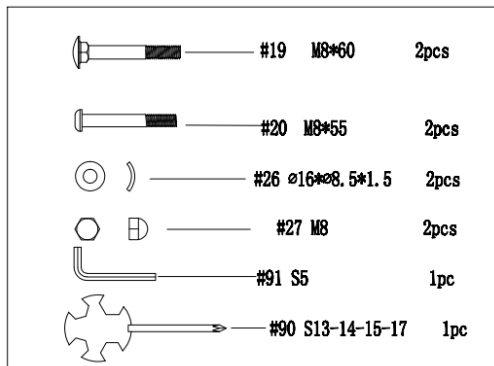


# ASSEMBLY

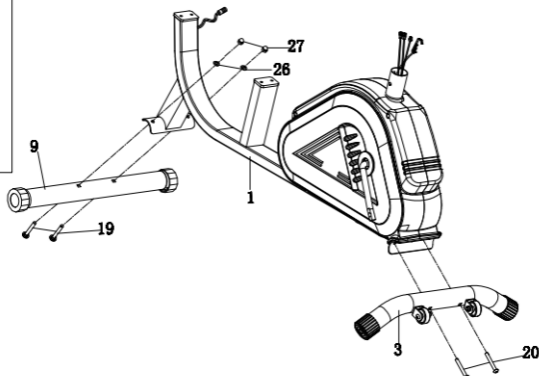


NOTE: Place the packaging with the equipment on a level surface. It is recommended that you place a protective cover for your floor. Exercise caution when you are loading and transporting equipment. Unpack and assemble the equipment where it will be used. If necessary, ask the help of someone else.

## STEP 1



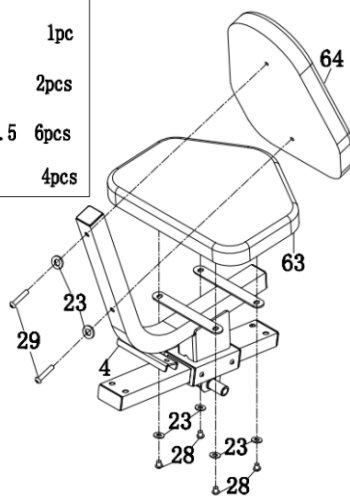
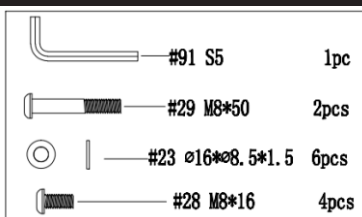
First pass the bolt (20) through the front bottom tube (3) and lock it with the main frame weld(1). Second please pass the square neck bolt (19) through the main frame weld (1), the arc washer (26), and then install the cap nut (27) to lock it, as shown in the figure. (Note: the bolt needs to be locked.)



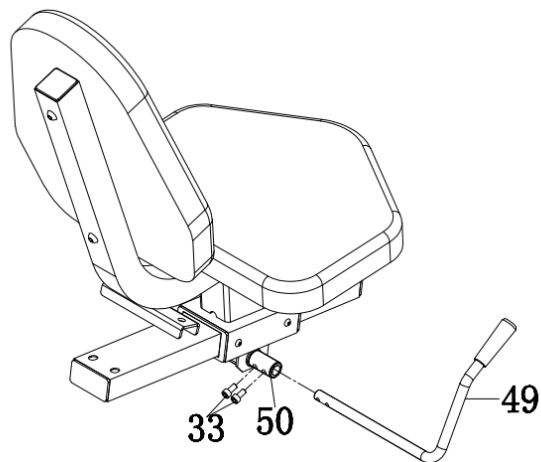
## STEP 2

The next step you must to connect and lock the bolt (29) through the flat washer (23), the seat weld(4) and the back cushion (64) in turn and assemble as shown in the figure;

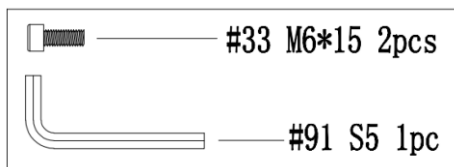
2.Please connect and lock the bolt (28) through the flat washer (23), the seat weld (4) and the saddle (63) in turn, as shown in the figure assembly. (Note: the bolts need to be locked).



## STEP 3

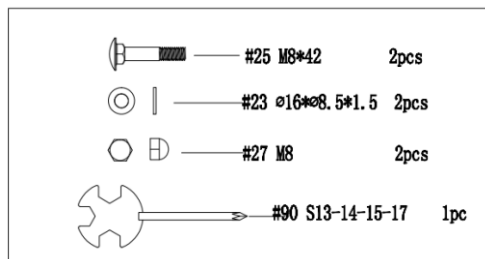
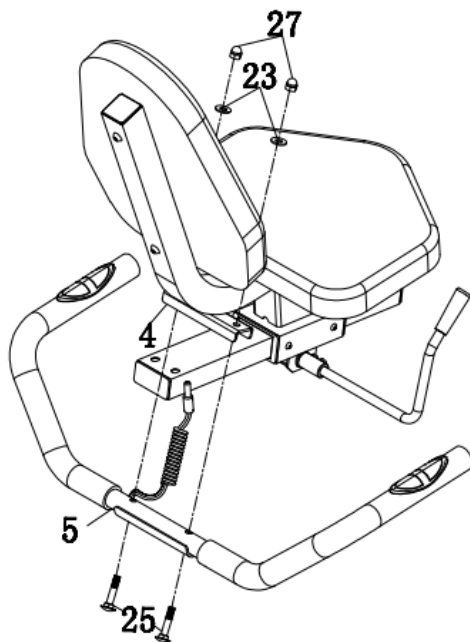


Then insert the brake lever (49) into the hole of the eccentric shaft (50), the screw holes on (49) and (50) need to be concentric, and then lock in the screw (33) to lock, as shown in the assembly. (Note: the bolts need to be locked.)



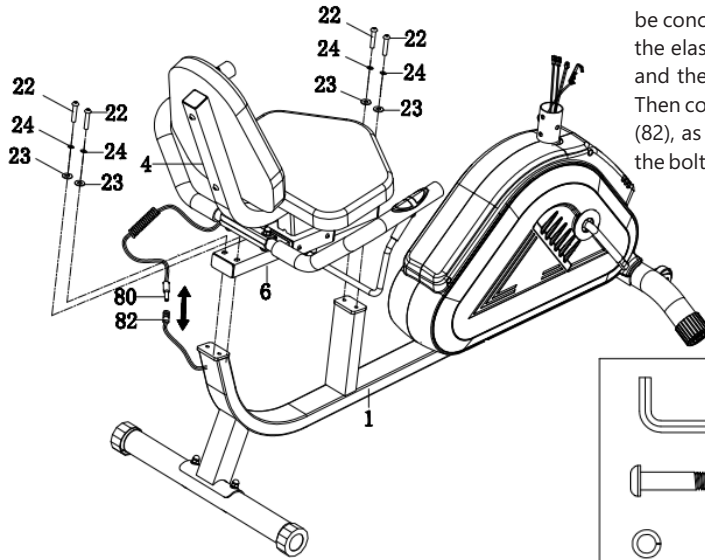
## STEP 4

To fixing the Handgrip pass the square neck bolt (25) through the handrail pipe weld (5), the seat weld (4), and the flat washer (23) in turn, and then install it into the cap nut (27) to lock it, as shown in the assembly. (Note: the bolts need to be locked.)



# STEP 5

Fix the seat (4) of the process 1 assembly on the main frame weld (1). The screw holes must be concentric. Use the bolts (22) to pass through the elastic washers (24), use the flat washer (23) and the adjusting tube (6) to bolts (22) in turn. Then connect the grip wire (80) to the trunk line 2 (82), as shown in the figure to assemble. (Note: the bolts need to be locked).



	#91 S5	1pc
	#22 M8*45	4pcs
	#24 D8	4pcs
	#23 $\phi 16 \times \phi 8.5 \times 1.5$	4pcs

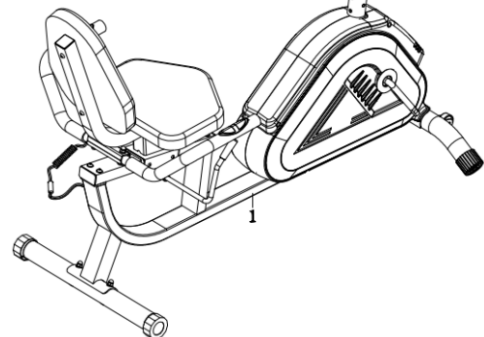
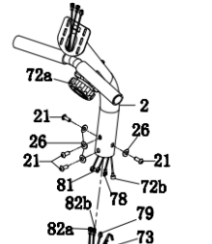
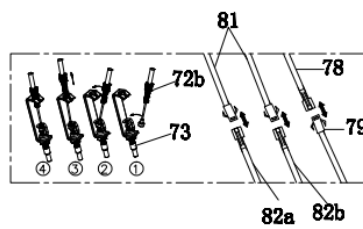
# STEP 6

1. Assemble tension control wire (72b) and the lower wire (73) as shown in the figure.

2. Assemble trunk line 1(78) and sensor wire as shown in the figure.

3. Please assemble grip wire 1(81) and grip wire(82a), (82b) as shown in the figure.

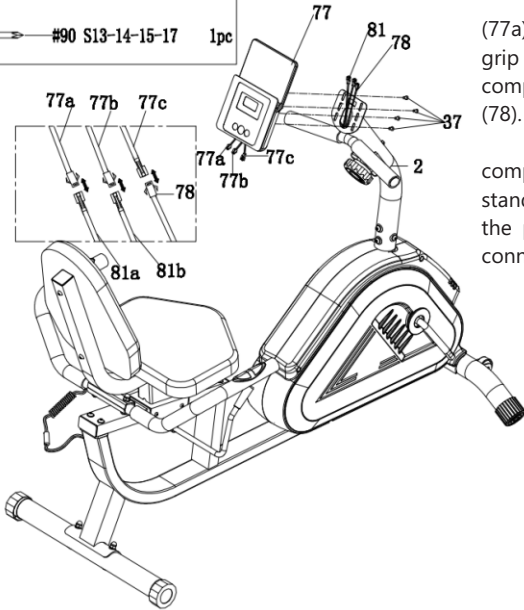
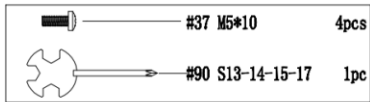
4. Then put the Standpipe weld (2) on the main frame weld (1), the screw holes need to be aligned, and then install the bolt (21) and the arc washer (26) in turn to lock as shown in the figure. (Note: the wire should be smooth when inserting.)



	#91 S5	1pc
	#21 M8*20	4pcs
	#26 $\phi 16 \times \phi 8.5 \times 1.5$	4pcs

72a

# STEP 7

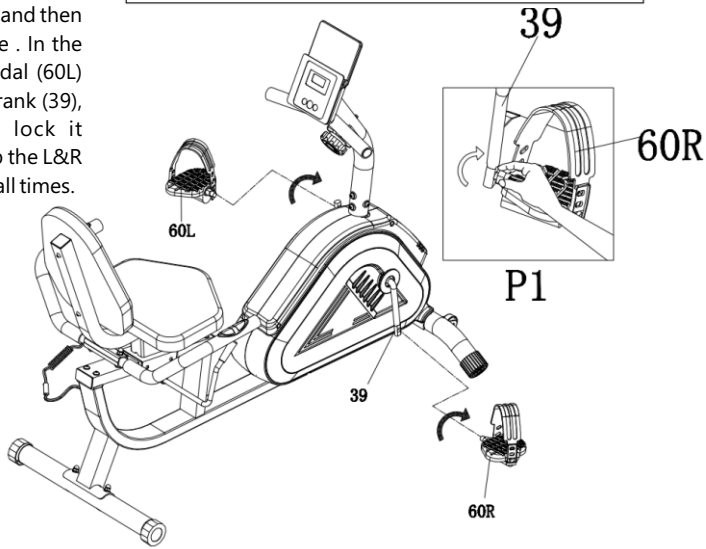
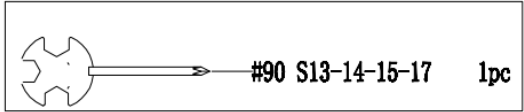


Connect the computer outgoing wires (77a) and (77b) to the grip wire 1 (82a) and the grip wire 2 (82b) in turn, and then connect the computer outgoing wire (77c) to the trunk wire 1 (78).

2.Remove the bolts (37) pre-locked on the computer. Then put the computer (77) into the standpipe weld (2) and align the screw holes on the piece, and then lock in the bolts (37) to connect as shown in the figure.

# STEP 8

Lock the L&R pedals (60L)、(60R) respectively on the crank (39). Note: As shown in Figure P1, turn the bolt of the right pedal (60R) clockwise by 3 threads to the crank (39), and then use the wrench (90) to lock it clockwise. In the same way, turn the bolt of the left pedal (60L) counterclockwise by 3 threads to the crank (39), and then use the wrench (90) to lock it counterclockwise. During exercise, keep the L&R pedals (60L)、(60R) in a locked state at all times.



# MONITOR

## SPECIFICATIONS:

TIME	00:00~99:59MIN
SPEED	0.0~99.9KM/H(ML/H)
DISTANCE	0.00~999.9KM(ML)
ODOMETER	0.0~9999KM or ML
PULSE	40~240BPM
CALORIE	0.0~9999KCALs

## KEY FUNCTIONS

**MODE:** This key lets you to select and lock on to a particular function you want.

## OPERATION PROCEDURES

### 1. AUTO ON/OFF

This system turns on when any key is pressed or when it receives a signal input from the speed sensor.

The system turns off automatically when the sensor has no signal input of no key are pressed for approximately 4 minutes.

### 2. RESET

The unit can be reset by either changing battery or pressing the mode key for 3 seconds.

### 3. MODE

To choose SCAN or LOCK if you do not want the scan mode, press the MODE key when the pointer on the function you want which begins blinking.

### 4. FUNCTIONS

**TIME:** Press the MODE key until pointer lock on to TIME. The total working time will be shown when starting exercise.

**SPEED:** Press the MODE key until pointer lock on to SPEED. Displays current speed during workout time.

**DISTANCE:** Press the MODE key until pointer lock on to DISTANCE. The distance of each workout will be displayed when starting exercise.

**ODOMETER:** Press the MODE key until the pointer advances to ODO METER. The total accumulated distance will be shown.

**CALORIE:** Press the MODE key until pointer lock on to CALORIE. The calorie burned will be displayed when starting exercise.

**(PULSE) :** Press the MODE key until the pointer advance to PULSE function and put ear-clip to ear or the hand take hold of the sensor about 3 seconds show out.

**SCAN:** Display changes according to the next diagram every 4 seconds. Automatically display of the following functions in the order shown: TIME-SPEED-DISTANCE CALORIE-PULSE

## NOTE:

1. Without any signal coming in 4-5 minutes, the LCD display will be shut off automatically.
2. When there is signal input, the monitor automatically turns on.
3. If there is a possibility to see an improper display on the monitor, please replace the batteries to have a good result. You must be to replace the batteries at the same time.
4. The monitor use 1.5V "AA" or "AAA" batteries.



## PREVENTIVE MAINTENANCE

Before you use your equipment make sure it is in good condition. Check the general condition of the equipment, as described in "Safety Information". If the equipment is not in perfect condition, contact an Authorized Technical Assistant.

### **CLEANING:**

- Never use abrasive or solvents for cleaning.
- Do not leave the equipment exposed to natural agents such as sunlight, rain, dew, dust, salt spray etc.
- Do not put the treadmill in dusty environments, wet, saunas or anywhere unventilated.
- Always use original spare parts. Improper maintenance can cause damage to the product and loss of warranty.
- If you prefer, this cleaning can be done by a Technical Assistant (see values).

**WARNING:** This equipment is designed for residential use. We assume no responsibility when it is used by gyms, clubs, clinics or condos.

# WARRANTY

## Terms of Guarantee

A. The warranty procedures will be carried out only upon presentation of the note / original coupon tax of Sale and limitations laid down by these Terms. The guarantee shall be provided by the Authorized Technical Assistance Network.

B. The conditions set out in this Agreement are guaranteed to the first user purchaser of this product for a period of 6 (six) months (including the legal guarantee period - first 90 (ninety) days, counted from the date of issuance of the note / tax Coupon sale, in the event of exclusively residential use.

C. Warranty and coverage terms start to count from the date of issue of the sales invoice / coupon, including the legal term of 90 (ninety) days.

### PARTS AND COMPONENTS

Structure  
Painting (oxidation)  
Monitor  
Plastic parts and rubber  
Manpower

### TIME

6 months  
6 months  
6 months  
6 months  
6 months

D. Parts repaired or replaced under this warranty does not stop nor extend the warranty period originally stipulated.

E. To be used by this warranty, the equipment must have been installed by authorized technical assistant, except for residential products.

F. Warranty does not cover the installation and preventive maintenance services such as cleaning, lubrication and adjustment of the product.

G. No dealer is authorized to receive client product to refer you local dealer or this take it to return to it and to provide information on behalf of the Manufacturer / Supplier of the progress of the service. The manufacturer / supplier or consumer support are not responsible for any damage or delay due to this non-compliance.

H. The Manufacturer / Supplier keep available spare parts until they cease the manufacture or import the equipment. If it ceased the production or import of equipment Manufacturer / Supplier keep the spare supply its line of equipment for a reasonable period of time, according to the law.

I. Within the period of thirty (30) days if the equipment presents some malfunction, the customer may choose to take the product to an authorized posts or requesting service in your home without travel expenses in those counties covered by the Network Authorized Service. After the period of thirty (30) days or in municipalities not covered by the Technical Assistance Network Authorized expenses resulting from any transport of the equipment to a freight service, removal or technical visit by tecnicl asistent,

occur by the customer, whether or not this equipment covered by this warranty.

J. Lubricants, silicones for treadmills, vaseline to the guide weights and micro oil to the joints of weight stations, should be exclusively recommended by the manufacturer, available at Authorized Technical Assistance Network.

K. Components that wear out with regular use of equipment such as motor brushes, belts, pads, brake bands, felt, steel chains and cables, when this equipment will have warranty for a period of 90 days from the invoice or manufacturing defect found by the Authorized Technical Assistance Network.

## Extinction Assurance

This warranty will be considered void when:

A. Expiry of the warranty term.

B. Equipment repaired by a person not authorized by the Manufacturer / Supplier, if signs of violation of its original characteristics or non-factory assembly are found.

C. Damage suffered by the equipment due to improper use, use of inappropriate cleaning products, oxidation from external agents, wear, neglect, modification, use of accessories not recommended, inadequate design for the intended application, falls, perforations, use and opposite installation to the operating instructions, inadequate wiring in the electrical network, lack of grounding in badly sized grids and / or excessive fluctuations and overloads.

D. For residential line is prohibited any type of user equipment maintenance or a third party other than the technical assistance network.

E. The product is used in gyms, condominiums, clinics, clubs, sauna, submerged in water or use so that it resembles other than for residential purpose or the application of the purpose intended.

## Comments:

A. cables, carabiners, pedals when existing in the product should be replaced once a year.

B. The Manufacturer / Supplier is not responsible for any accidents and their consequences, arising from breach of the original features or assembly out of their equipment factory default.

C. Customer's responsibility are those resulting from unfounded judged answering calls.

**Note:** Manufacturer / Supplier reserves the right to make changes without notice this.







## INFORMACIÓN DE SEGURIDAD

Lea este manual antes de usar el producto y consérvelo para consultarlo en el futuro para evitar el riesgo de calentamiento, incendio, descarga eléctrica o lesiones. Es responsabilidad del propietario asegurarse de que todos los usuarios del equipo estén adecuadamente informados sobre las precauciones de seguridad. Si el equipo no está en perfectas condiciones, llamar a un asistente técnico.

### Consideraciones Generales

- Coloque la bicicleta en una superficie plana al menos 30cm de distancia de cualquier pared, manteniendo la parte inferior, libre de cualquier obstáculo.
- Nunca permita que más de una persona use la bicicleta al mismo tiempo.
- Consulte a su médico antes de iniciar y durante cualquier programa de ejercicios. Debe ser dada especial atención a los niños, mujeres embarazadas, ancianos, personas con problemas de corazón y las personas con discapacidad.
- Los valores indicados en el monitor son puntos de referencia, no puede ser considerado con suficiente precisión para la evaluación clínica.
- Mantener alejado de los equipos, los niños y los animales domésticos, sobre todo durante el uso y no introduzca objetos en los orificios del equipo.
- Utilizar ropa deportiva adecuada. No use ropa suelta que pueda quedar atrapado en el equipo. Para ejercitarse, siempre use zapato, no camine descalzo o con sandalias.
- Este aparato no está destinado para ser usado por personas cuyas capacidades físicas o mentales estén reducidas o sin experiencia, salvo se tienen supervisión por persona responsable.
- Los niños deben ser supervisados para asegurar que no juegan con el aparato.

### Observaciones

- A. El Fabricante/Distribuidor no es responsable de los accidentes y sus consecuencias derivadas de la violación de las características originales o montaje fuera de los ajustes de fábricas de sus productos.
- B. Ningún Revendedor o Asistencia Técnica Autorizada está autorizado a cambiar estos Términos o asumir compromisos en nombre del Fabricante/Distribuidor.
- C. El cliente es responsable pelos costos de llamada técnicas infundadas.

**NOTA:** figuras y fotos en este manual son meramente ilustrativas. El Fabricante/Distribuidor se reserva el derecho de realizar cambios en el producto sin previo aviso. Este manual puede ilustrar opcionales que no forman parte del equipo adquirido.

# COMPONENTES Y ESPECIFICACIONES TÉCNICAS



1. Monitor
2. Manillar
3. Controle de tensión
4. Torre
5. Pedal
6. Pie rontal
7. Estructura principal
8. Hand grip
9. Asiento
10. Respaldo
11. Pie trasero

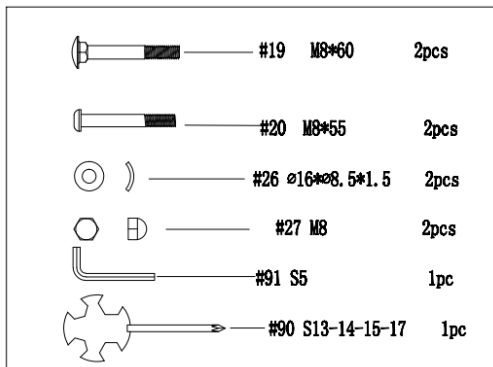
Producto		Empaquetado	
Peso neto (aproximado)	28 kg	Peso bruto	31 kg
Ancho máximo	640 mm	Ancho (caja de cartón)	250 mm
Largo máxima	930 mm	Altura (caja de cartón)	530 mm
Altura máxima	1400 mm	Largo (caja de cartón)	1175mm

# MONTAJE

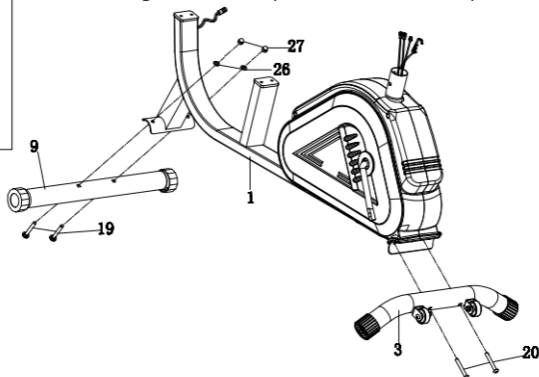


NOTA: Coloque el embalaje con el equipo en una superficie plana. Se recomienda que coloque una cubierta protectora para su piso. Tenga precaución al que va a cargar y transportar el equipo. Desembale y montar el equipo donde se utilizará.  
Si es necesario, pida la ayuda de otra persona.

## PASO 1



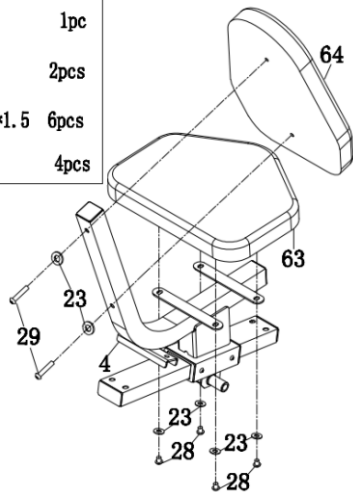
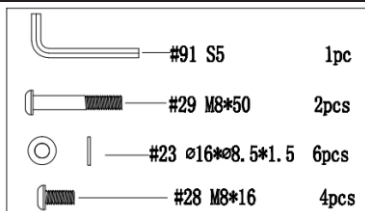
Primero pase el perno (20) a través del tubo inferior delantero (3) y asegúrelo con la soldadura del marco principal (1). En segundo lugar, pase el perno de cuello cuadrado (19) a través de la soldadura del marco principal (1), la arandela de arco (26) y luego instale la tuerca ciega (27) para bloquearlo, como se muestra en la figura. (Nota: el perno debe estar bloqueado).



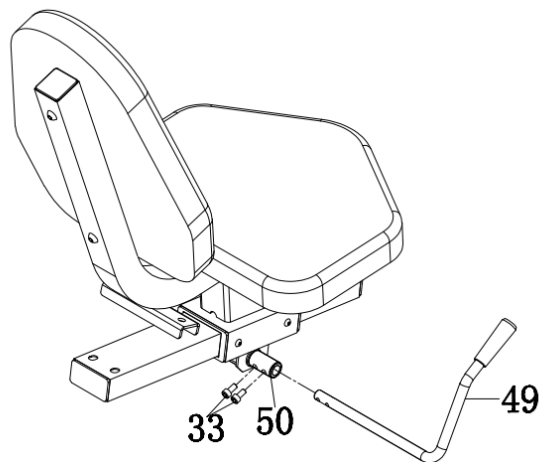
## PASO 2

En el siguiente paso debe conectar y trabar el perno (29) a través de la arandela plana (23), la soldadura del asiento (4) y el cojín del respaldo (64) a su vez y ensamblar como se muestra en la figura;

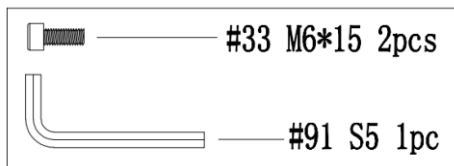
2. Conecte y bloquee el perno (28) a través de la arandela plana (23), la soldadura del asiento (4) y el asiento (63) a su vez, como se muestra en la figura de montaje. (Nota: los pernos deben estar bloqueados).



## PASO 3

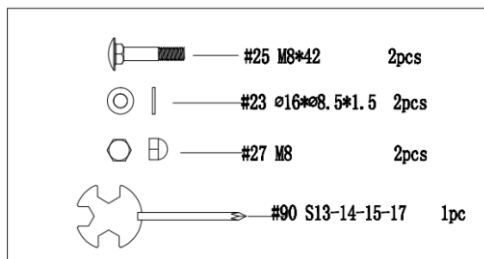
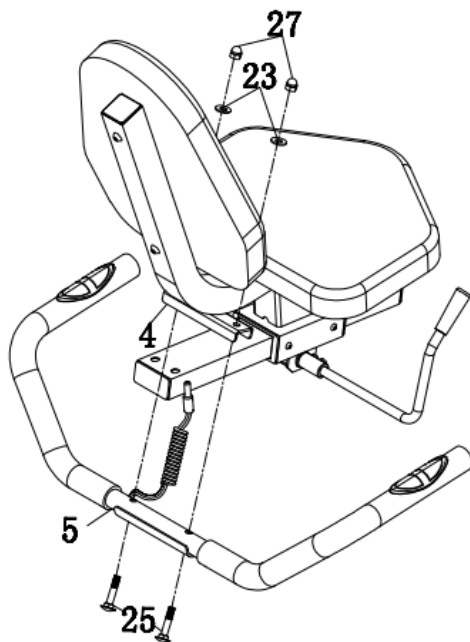


Luego inserte la palanca de freno (49) en el orificio del eje excéntrico (50), los orificios de los tornillos en (49) y (50) deben ser concéntricos, y luego bloquee el tornillo (33) para bloquear, como se muestra en la Asamblea. (Nota: los pernos deben estar bloqueados).

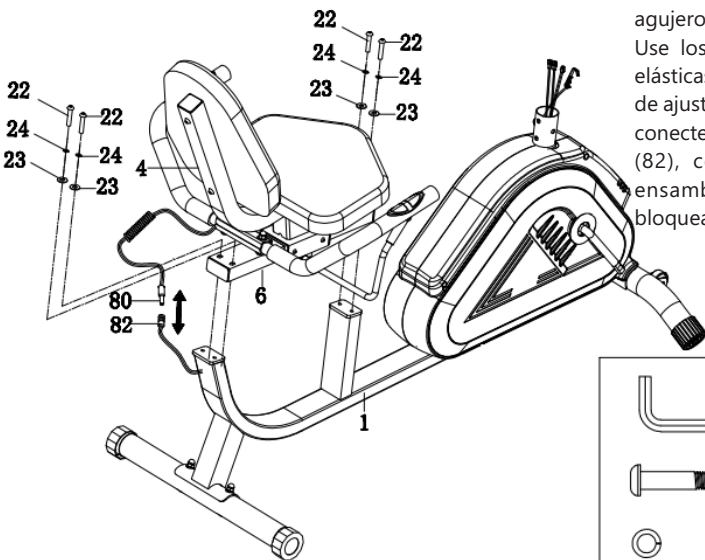


## PASO 4

Para fijar el Handgrip, pase el perno de cuello cuadrado (25) a través de la soldadura del tubo del pasamanos (5), la soldadura del asiento (4) y la arandela plana (23), y luego instálelo en la tuerca ciega (27) para bloquearlo, como se muestra en el montaje. (Nota: los pernos deben estar bloqueados).



## PASO 5



Fije el asiento (4) del conjunto del proceso 1 en la soldadura del marco principal (1). Los agujeros de los tornillos deben ser concéntricos. Use los pernos (22) para pasar las arandelas elásticas (24), use la arandela plana (23) y el tubo de ajuste (6) para los pernos (22) a su vez. Luego conecte el cable de agarre (80) a la línea troncal 2 (82), como se muestra en la figura para ensamblar. (Nota: los pernos deben estar bloqueados).

	#91 S5	1pc
	#22 M8*45	4pcs
	#24 D8	4pcs
	#23 $\phi 16 \times \phi 8,5 \times 1,5$	4pcs

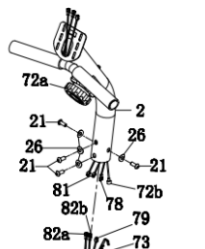
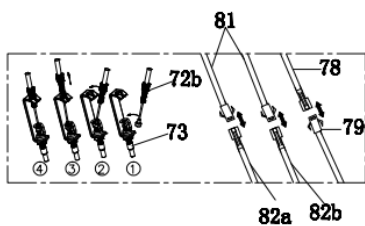
## PASO 6

1. Monte el cable de control de tensión (72b) y el cable inferior (73) como se muestra en la figura.

2. Monte la línea principal 1 (78) y el cable del sensor como se muestra en la figura.

3. Ensamble el cable de agarre 1 (81) y el cable de agarre (82a), (82b) como se muestra en la figura.

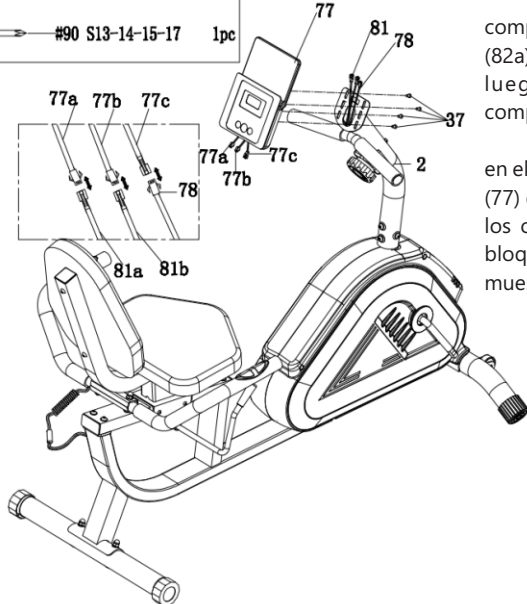
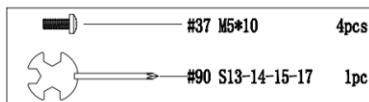
4. Luego coloque la soldadura del tubo vertical (2) en la soldadura del marco principal (1), los orificios de los tornillos deben alinearse y luego instale el perno (21) y la arandela de arco (26) a su vez para bloquear como se muestra en la figura. (Nota: el cable debe estar suave al insertarlo).



	#91 S5	1pc
	#21 M8*20	4pcs
	#26 $\phi 16 \times \phi 8,5 \times 1,5$	4pcs

72a

## PASO 7

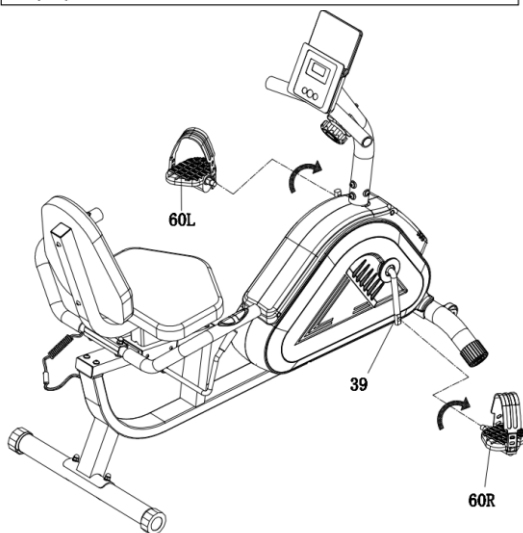
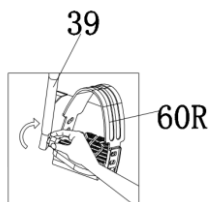
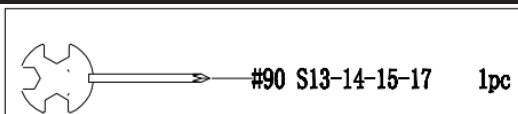


Conecte los cables de salida de la computadora (77a) y (77b) al cable de agarre 1 (82a) y al cable de agarre 2 (82b) uno tras otro, y luego conecte el cable de salida de la computadora (77c) al cable troncal 1 (78).

2. Quitar los tornillos (37) prebloqueados en el calculador. Luego coloque la computadora (77) en la soldadura del tubo vertical (2) y alinee los orificios de los tornillos en la pieza, luego bloquee los pernos (37) para conectar como se muestra en la figura.

## PASO 8

Bloquee los pedales L&R (L para la izquierda y R para la derecha) (60L), (60R) respectivamente en la manivela (39). Nota: Como se muestra en la Figura P1, gire el perno del pedal derecho (60R) en el sentido de las agujas del reloj 3 roscas a la manivela (39), y luego use la llave (90) para trabarlo en el sentido de las agujas del reloj. De la misma manera, gire el perno del pedal izquierdo (60L) en sentido antihorario de 3 roscas a la manivela (39), y luego use la llave (90) para bloquearlo en sentido antihorario. Durante el ejercicio, mantenga los pedales izquierdo y derecho (60L), (60R) bloqueados en todo momento.



P1

# MONITOR

## ESPECIFICACIONES:

TIEMPO	00:00~99:59MIN
VELOCIDAD	0.0~99.9KM/H(ML/H)
DISTANCIA	0.00~999.9KM(ML)
ODOMETRO	0.0~9999KM or ML
PULSO	40~240BPM
CALORÍAS	0.0~9999KCALs

## FUNCIONES DE TECLAS

**MODE:** Esta tecla le permite seleccionar y bloquear una función particular que desee.

## PROCEDIMIENTOS DE OPERACION

### 1. AUTO ON/OFF

Este sistema se enciende cuando se presiona cualquier tecla o cuando recibe una señal de entrada del sensor de velocidad.

El sistema se apaga automáticamente cuando el sensor no tiene entrada de señal o no se presiona ninguna tecla durante aproximadamente 4 minutos.

### 2. RESET

La unidad se puede reiniciar cambiando la batería o presionando la tecla de modo durante 3 segundos.

### 3. MODE

Para elegir SCAN o LOCK si no desea el modo de escaneo, presione la tecla MODE cuando el puntero de la función que desea comience a parpadear.

### 4. FUNCIONES

**TIEMPO:** Presione la tecla MODE hasta que el puntero se bloquee en TIME. El tiempo total de trabajo se mostrará al iniciar el ejercicio.

**VELOCIDAD:** Presione la tecla MODO hasta que el puntero se bloquee en SPEED. Muestra la velocidad actual durante el tiempo de entrenamiento.

**DISTANCE:** Presione la tecla MODE hasta que el puntero se bloquee en DISTANCE. La distancia de cada entrenamiento será se muestra al iniciar el ejercicio.

**ODÓMETRO:** Presione la tecla MODE hasta que el puntero avance a ODO METER. La distancia total acumulada se mostrará.

**CALORÍAS:** Presione la tecla MODO hasta que el puntero se bloquee en CALORIES. Las calorías quemadas se mostrarán cuando inicio del ejercicio.

**PULSO:** presione la tecla MODE hasta que el puntero avance a la función PULSE y coloque el clip en la oreja o en la mano agarre el sensor unos 3 segundos se muestran.

**SCAN:** la pantalla cambia de acuerdo con el siguiente diagrama cada 4 segundos. Visualización automática del siguientes funciones en el orden mostrado: TIEMPO-VELOCIDAD-DISTANCIA CALORÍAS-PULSO

## NOTAS:

1. Si no llega ninguna señal en 4-5 minutos, la pantalla LCD se apagará automáticamente.

2. Cuando hay entrada de señal, el monitor se enciende automáticamente.

3. Si existe la posibilidad de ver una pantalla incorrecta en el monitor, reemplace las baterías para obtener un buen resultado. Debe reemplazar las baterías al mismo tiempo.

4. El monitor utiliza pilas "AA" o "AAA" de 1,5 V.



## MANTENIMIENTO PREVENTIVO

Antes de usar su equipo asegúrese de que está en buenas condiciones. Verificar el estado general del equipo, como se describe en "Información de seguridad". Si el equipo no está en perfectas condiciones, en contacto con un asistente técnico autorizado.

### **LIMPIEZA:**

- Nunca utilizar disolventes o abrasivos para la limpieza.
- No dejar el aparato expuesto a los agentes naturales como el sol, la lluvia, el rocío, el polvo, niebla salina, etc.
- No coloque la caminadora en ambientes con polvo, húmedos, saunas o en cualquier lugar sin ventilación.
- Utilice siempre repuestos originales. Un mantenimiento inadecuado puede dañar el producto y perder la garantía.
- Si lo prefiere, esta limpieza puede realizarla un Asistente Técnico (consulte valores).

**ADVERTENCIA:** Este equipo está diseñado para uso residencial. No asumimos ninguna responsabilidad cuando es utilizado por gimnasios, clubes, clínicas o condominios.



# GARANTÍA

## Condiciones Generales de la Garantía

- A. La atención en garantía será realizar solamente mediante la presentación de la factura/cupón fiscal original de venta y en los límites establecidos por este término. La garantía será prestada por la Red de Asistencia Técnica Autorizada, que cubre las principales ciudades del país.
- B. Las condiciones establecidas en el presente Acuerdo se garantiza al primer comprador usuario de este producto por un período de seis (6) meses (incluyendo el período de garantía legal - primeros 90 (noventa) días contados a partir de la fecha de emisión del pagaré / cupón fiscal venta, en el caso de uso exclusivamente residencial.
- C. Los periodos de garantía y la cobertura a partir de la fecha de emisión de la venta de cupones de la nota / cupón fiscal venta, incluyendo el plazo estatutario de los noventa (90) días:

### PIEZAS Y COMPONENTES

### TIEMPO

Estructura	6 meses
Pintura (oxidación)	6 meses
Monitor	6 meses
Piezas de plástico y caucho	6 meses
Mano de obra	6 meses

- D. Las piezas reparadas o cambiadas bajo esta garantía no se detiene ni se extienden el periodo de garantía estipulado inicialmente.
- E. Para utilizar esta garantía, el equipo debe haber sido instalado por el asistente técnico autorizado, a excepción de los productos residenciales.
- F. La garantía no cubre los servicios de instalación y mantenimiento preventivo, como la limpieza, lubricación y ajuste del producto.
- G. Ningún revendedor está autorizado a recibir producto de cliente para encaminarlo a la Asistencia Técnica Autorizada o de esta retirarlo para devolución al mismo proporcionar informaciones en nombre de Fabricante / Distribuidor sobre el progreso del servicio. El Fabricante / Distribuidor no se responsabilizará por cualquier daño o retraso debido a este incumplimiento.
- H. El Fabricante / Distribuidor mantendrá disponibles los repuestos hasta que dejen de fabricar o importar el equipo. Si cesado la producción o importación de los equipos para mantener el suministro de repuesto el Fabricante / Distribuidor su línea de equipos para un período de tiempo razonable, de acuerdo con la ley.
- I. Dentro del plazo de 30 (treinta) días si el equipo presenta algún mal funcionamiento, el cliente puede optar por llevar el producto a un puestos autorizados o servicios que solicite en su casa sin gastos de viaje en los municipios incluidos en la Red de Asistencia Técnica Autorizada. Transcurrido el plazo de treinta (30) días o municipios no incluidos en la Red de Asistencia Técnica Autorizada los gastos resultantes de cualquier transporte o el equipo a un servicio de carga, desplazamiento o visita técnica por ayudante cualificado, se

deben a la cliente, si este equipo cubierto por esta garantía.

- J. Lubricantes, siliconas para caminadoras, vaselina para los pesos de guía y micro aceite a las articulaciones de las estaciones de peso, se recomienda exclusivamente por el fabricante, disponible en la Red de Asistencia Técnica.
- K. Los componentes que se desgastan con el uso regular de los equipos, tales como escobillas del motor, correas, pastillas, bandas de freno, fieltro, cadenas y cables de acero, cuando está presente en el equipo, garantizan por un período de 90 días a partir de la factura o defecto de fabricación, apreciada por la Red de Asistencia Técnica Autorizada.

## Extinción de la Garantía:

Esta Garantía será considerada sin efecto cuando:

- A. Haya transcurrido normalmente el plazo de su validez.
- B. El equipamiento fuere entregado para reparación de las personas no autorizadas por el Fabricante / Distribuidor, fueren verificados signos de violación de sus características originales o montaje fuera del nivel de fábrica.
- C. Hayan ocurrido daños que este venga a sufrir como consecuencia de mal uso, uso de productos de limpieza inadecuados, la oxidación de origen de los agentes externos, a la intemperie, negligencia, modificación, uso de accesorios no recomendados, mal diseño de la aplicación para la que es, caídas, perforaciones, utilizar e instalación que no esté conforme con el manual de instrucciones, cableado tensiones no aptos, sin conexión a tierra en redes de tamaño malos y / o fluctuaciones y sobrecargas excesivas.
- D. Para la línea residencial está prohibido cualquier tipo de mantenimiento de equipo de usuario o un tercero distinto de la red de asistencia técnica.
- E. El producto fuere utilizado en academias, condominios, clínicas, clubes, saunas, sumergido en agua o cualquier modo de uso que se asemeje a este, así como cualquier uso que no sea la finalidad de aplicación a que se destina.

## Observaciones:

- A. Cables, mosquetones, pedales cuando ya existente en el producto deben ser reemplazados una vez al año.
- B. Fabricante / Distribuidor no se responsabiliza por eventuales accidentes y sus consecuencias, derivadas de la violación de las características originales o montaje fuera del estándar de fábrica de sus equipamientos.
- C. Son responsabilidad del cliente son los costos de atención de llamadas infundado juzgado.

**Nota:** Fabricante / Distribuidor se reserva el derecho de promover alteraciones de éste sin previo aviso.





## INFORMAÇÃO DE SEGURANÇA

Leia este manual antes de usar o produto e guarde-o para referência futura para evitar o risco de aquecimento, incêndio, choque elétrico ou ferimentos.

É responsabilidade do proprietário garantir que todos os usuários do equipamento sejam adequadamente informados sobre as precauções de segurança.

Se o equipamento não estiver em perfeitas condições, ~~chame um assistente técnico~~

### Considerações Gerais

- Coloque a esteira em uma superfície plana a pelo menos 30 cm de distância de qualquer parede, mantendo a parte inferior livre de quaisquer obstáculos.
- Nunca permita que mais de uma pessoa use a esteira ao mesmo tempo.
- Consulte o seu médico antes de iniciar e durante qualquer programa de exercícios. Atenção especial deve ser dada às crianças, gestantes, idosos, pessoas com problemas cardíacos e pessoas com deficiência.
- Os valores indicados no monitor são pontos de referência, não podem ser considerados com precisão suficiente para avaliação clínica.
- Mantenha longe do equipamento, crianças e animais domésticos, principalmente durante o uso e não insira objetos nos orifícios do equipamento.
- Não fique em pé na esteira ao ligar a esteira, evitando forçar o motor. Sempre fique de lado. Só suba quando a esteira estiver se movendo muito lentamente.
- Use roupas esportivas adequadas. Não use roupas largas que possam ficar presas no equipamento. Para se exercitar, use sempre sapatos, não ande descalço ou com sandálias.
- Este aparelho não se destina a ser utilizado por pessoas com capacidades físicas ou mentais reduzidas ou inexperientes, a menos que sejam supervisionadas por uma pessoa responsável.
- As crianças devem ser vigiadas para garantir que não brinquem com o aparelho.

### Observações

- A. O Fabricante/Distribuidor não se responsabiliza por acidentes e suas consequências decorrentes da violação das características originais ou montagem fora das configurações de fábrica de seus produtos.
- B. Nenhum Revendedor ou Assistência Técnica Autorizada está autorizado a alterar estes Termos ou assumir compromissos em nome do Fabricante/Distribuidor.
- C. O cliente é responsável pelos custos de chamadas técnicas infundadas.

NOTA: as figuras e fotos deste manual são meramente ilustrativas. O Fabricante/Distribuidor reserva-se o direito de fazer alterações no produto sem aviso prévio. Este manual pode ilustrar opções que não fazem parte do equipamento adquirido.

# COMPONENTES E AS ESPECIFICAÇÕES TÉCNICAS



1. Monitor
2. Guidão
3. Controle de tensão
4. Torre
5. Pedal
6. Pé dianteiro
7. Estrutura principal
8. Hand Grip
9. Assento
10. Respaldo
11. Pé traseiro

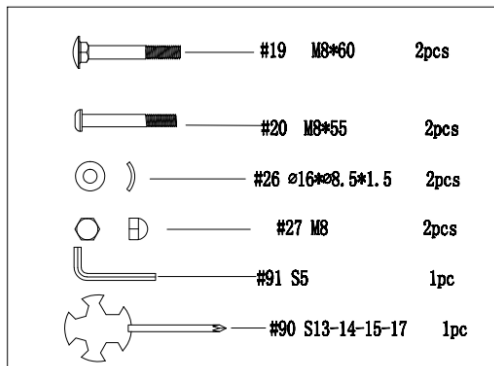
Produto		Embalagem	
Peso líquido (aproximado)	28 kg	Peso bruto	31 kg
Largura máxima	640 mm	Largura (caixa)	250 mm
Comprimento máximo	930 mm	Altura (caixa)	530 mm
Altura máxima	1400 mm	Comprimento (caixa)	1175mm

# MONTAGEM

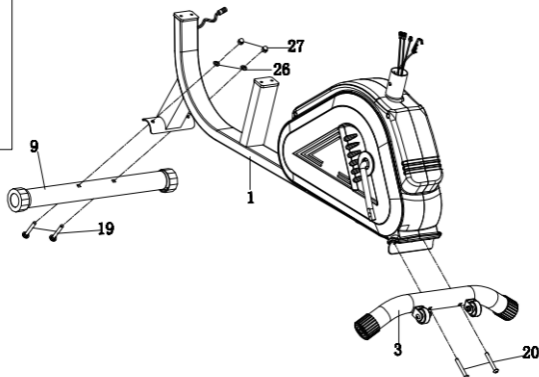


NOTA: Coloque a embalagem com o computador em uma superfície plana. Recomenda-se colocar uma cobertura protetora para o seu piso. Cuidado com quem vai carregar e transportar o equipamento. Desembale e monte o equipamento onde será utilizado. Se necessário, peça a ajuda de outra pessoa.

## PASSO 1



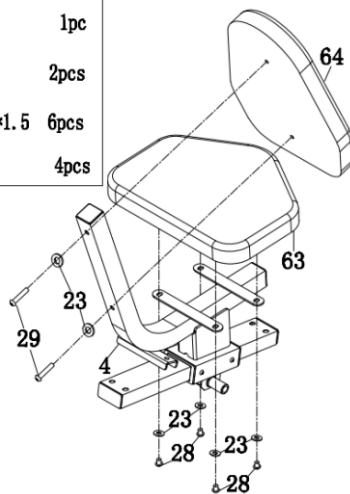
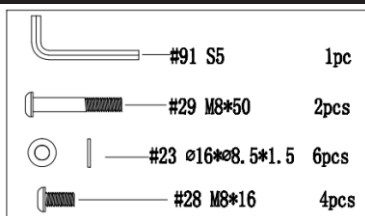
Primeiro passe o parafuso (20) pelo tubo inferior dianteiro (3) e prenda-o com a solda da estrutura principal (1). Em segundo lugar, passe o parafuso de pescoço quadrado (19) pela solda da estrutura principal (1), arruela de arco (26), e então instale a porca de bolota (27) para travá-la, conforme mostrado na figura. (Nota: o parafuso deve estar travado).



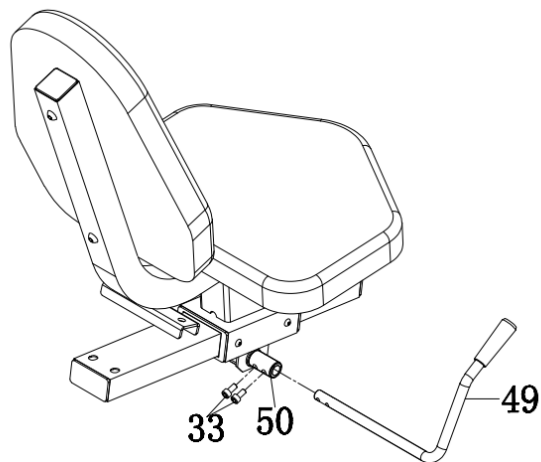
## PASSO 2

O próximo passo você deve conectar e travar o parafuso (29) através da arruela plana (23), a solda do assento (4) e a almofada do encosto (64) por sua vez e montar conforme mostrado na figura;

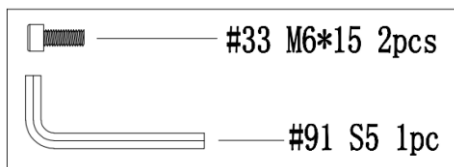
2. Por favor, conecte e trave o parafuso (28) através da arruela plana (23), a solda do assento (4) e o selim (63) por sua vez, conforme mostrado na figura de montagem. (Nota: os parafusos precisam ser travados).



## PASSO 3

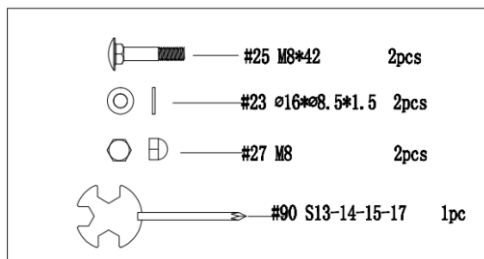
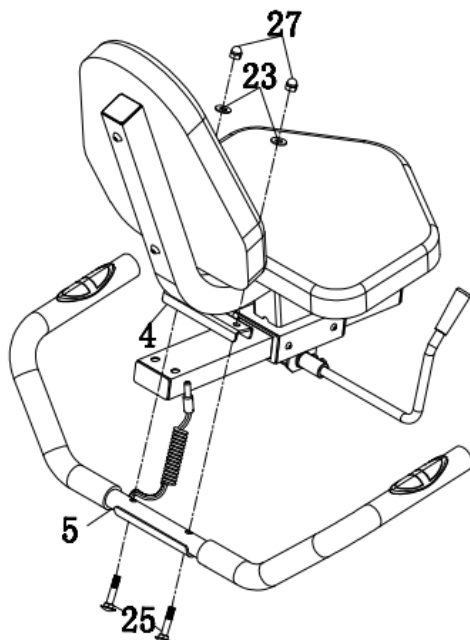


Em seguida, insira a alavanca do freio (49) no orifício do eixo excêntrico (50), os orifícios dos parafusos em (49) e (50) devem ser concêntricos e, em seguida, trave o parafuso (33) para travar, conforme mostrado. Conjunto. (Nota: os parafusos devem estar travados).

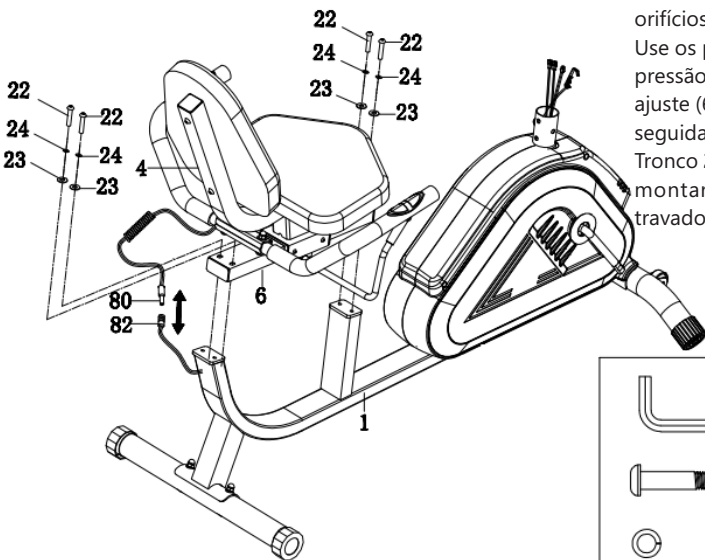


## PASSO 4

Para prender o Handgrip, passe o Parafuso de Gargalo Quadrado (25) através da Soldagem do Tubo do Corrimão (5), Soldagem do Assento (4) e Arruela Plana (23), e então instale na Porca da Tapa (27) para travá-la, conforme mostrado na montagem. (Nota: os parafusos devem estar travados).



## PASSO 5



Fixe a sede (4) do conjunto de processo 1 na soldagem da estrutura principal (1). Os orifícios dos parafusos devem ser concêntricos. Use os parafusos (22) para passar as arruelas de pressão (24), use a arruela plana (23) e o tubo de ajuste (6) para os parafusos (22) por sua vez. Em seguida, conecte o Cabo de Garra (80) à Linha Tronco 2 (82) conforme mostrado na figura para montar. (Nota: os parafusos devem estar travados).

	#91 S5	1pc
	#22 M8*45	4pcs
	#24 D8	4pcs
	#23 $\phi 16 \times \phi 8,5 \times 1,5$	4pcs

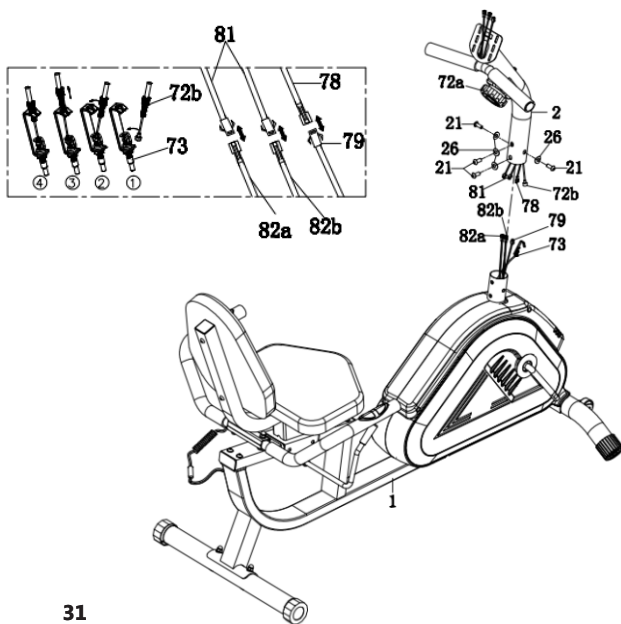
## PASSO 6

1. Monte o cabo de controle de tensão (72b) e o cabo inferior (73) conforme mostrado na figura.

2. Monte a linha principal 1 (78) e o cabo do sensor conforme mostrado na figura.

3. Monte o cabo 1 (81) e o cabo (82a), (82b) conforme mostrado na figura.

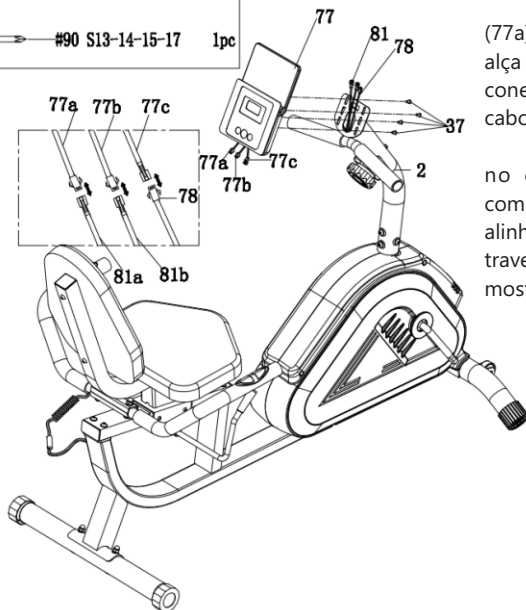
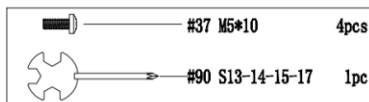
4. Em seguida, coloque a soldagem do tubo vertical (2) na soldagem da estrutura principal (1), os orifícios dos parafusos devem estar alinhados e, em seguida, instale o parafuso (21) e a arruela de arco (26) para travar como mostra a imagem. (Nota: o cabo deve estar liso quando inserido).



	#91 S5	1pc
	#21 M8*20	4pcs
	#26 $\phi 16 \times \phi 8,5 \times 1,5$	4pcs

72a

## PASSO 7

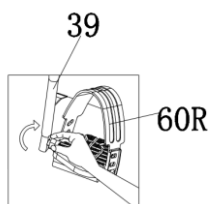


Conecte os cabos de saída do computador (77a) e (77b) ao cabo da alça 1 (82a) e cabo da alça 2 (82b) um após o outro e, em seguida, conecte o cabo de saída do computador (77c) ao cabo tronco 1 (78).

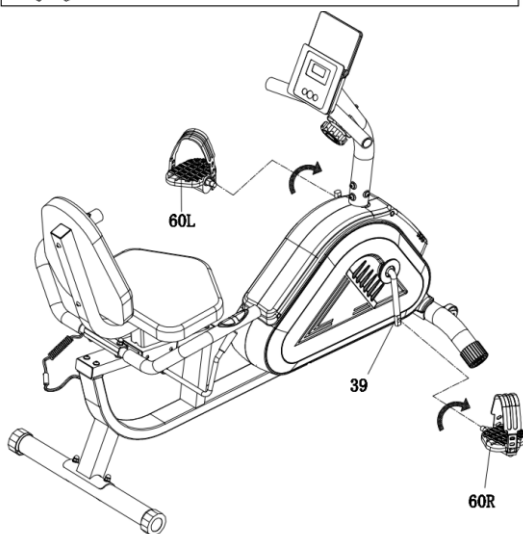
2. Retire os parafusos (37) pré-bloqueados no computador. Em seguida, coloque o computador (77) na solda do tubo vertical (2) e alinhe os orifícios dos parafusos na peça, depois trave os parafusos (37) para conectar conforme mostrado na figura.

## PASSO 8

Trave os pedais L&R (L para a esquerda e R para a direita) (60L), (60R) respectivamente na manivela (39). Observação: Conforme mostrado na Figura P1, gire o parafuso do pedal direito (60R) no sentido horário 3 roscas até a manivela (39) e, em seguida, use a chave (90) para travá-lo no sentido horário. Da mesma forma, gire o parafuso do pedal esquerdo (60L) no sentido anti-horário com 3 roscas na manivela (39), e então use a chave (90) para travar no sentido anti-horário. Durante o exercício, mantenha os pedais esquerdo e direito (60L), (60R) travados o tempo todo.



P1





# MONITOR

## ESPECIFICAÇÕES:

HORA 00:00~99:59MIN

VELOCIDADE 0,0~99,9KM/H(ML/H)

DISTÂNCIA 0,00~999,9KM(ML)

ODÔMETRO 0,0~9999KM ou ML

PULSO 40~240BPM

CALORIAS 0,0~9999KCALs

## PRINCIPAIS FUNÇÕES

MODO: Esta tecla permite selecionar e bloquear uma função específica que você deseja.

## PROCEDIMENTOS OPERACIONAIS

### 1. LIGADO/DESLIGADO AUTOMÁTICO

Este sistema liga quando qualquer tecla é pressionada ou quando recebe um sinal de entrada do sensor de velocidade

O sistema desliga automaticamente quando o sensor não tem entrada de sinal ou nenhum sinal é pressionado tecla por cerca de 4 minutos.

### 2. REINICIAR

A unidade pode ser reiniciada trocando a bateria ou pressionando a tecla de modo por 3 segundos.

### 3. MODO

Para escolher SCAN ou LOCK se você não quiser o modo de varredura, pressione a tecla MODE quando o ponteiro do função desejada começa a piscar.

### 4. FUNÇÕES

TIME: Pressione a tecla MODE até que o ponteiro trave em TIME. O tempo total de trabalho será exibido ao iniciar o exercício.

SPEED: Pressione a tecla MODE até que o ponteiro trave em SPEED. mostra a velocidade corrente durante o tempo de treino.

DISTANCE: Pressione a tecla MODE até que o ponteiro trave em DISTANCE. distância de Cada treino será exibido quando você iniciar o exercício.

ODÔMETRO: Pressione a tecla MODE até que o ponteiro avance para ODO METER. A distância total acumulada será mostrado.

CALORIES: Pressione a tecla MODE até que o ponteiro trave em CALORIES. calorias queimadas será exibido quando você iniciar o exercício.

PULSE: Pressione a tecla MODE até que o ponteiro avance para a função PULSE e coloque o clipe na orelha ou no

a mão segure o sensor cerca de 3 segundos são exibidos.

SCAN: A tela muda de acordo com o diagrama a seguir a cada 4 segundos. Exibição automática de

seguintes funções na ordem mostrada: TEMPO-VELOCIDADE-DISTÂNCIA CALORIAS-PULSO

## NOTAS:

1. Se nenhum sinal chegar dentro de 4-5 minutos, a tela LCD será desligada automaticamente.
2. Quando há entrada de sinal, o monitor liga automaticamente.
3. Se houver alguma chance de ver uma exibição incorreta no monitor, substitua as baterias para obter um bom resultado. Você deve substituir as baterias ao mesmo tempo.
4. O monitor usa pilhas "AA" ou "AAA" de 1,5V.



## MANUTENÇÃO PREVENTIVA

Antes de usar seu equipamento, verifique se ele está em boas condições. Verifique o estado geral do equipamento, conforme descrito em "Informações de segurança". Se o equipamento não estiver em perfeitas condições, contate um assistente técnico autorizado.

### **LIMPEZA:**

- Nunca use solventes ou abrasivos para limpeza.
- Não deixe o aparelho exposto a agentes naturais como sol, chuva, orvalho, poeira, névoa salina, etc.
- Não coloque a esteira em ambientes empoeirados, úmidos, saunas ou em qualquer lugar sem ventilação.
- Utilize sempre peças sobressalentes originais. A manutenção inadequada pode danificar o produto e anular a garantia.
- Se preferir, esta limpeza pode ser feita por um Auxiliar Técnico (consulte valores).

**AVISO:** Este equipamento foi projetado para uso residencial. Não assumimos qualquer responsabilidade quando utilizado por ginásios, clubes, clínicas ou condomínios.

# GARANTIA

## Condições Gerais da Garantia

R. O serviço de garantia será realizado somente mediante apresentação da nota fiscal/cupom fiscal original e dentro dos limites estabelecidos por este termo. A garantia será prestada pela Rede de Assistência Técnica Autorizada, que abrange as principais cidades do país.

B. As condições estabelecidas neste Contrato são garantidas ao primeiro usuário comprador deste produto por um período de 6 (seis) meses (incluindo o período de garantia legal - primeiros 90 (noventa) dias contados a partir da data de emissão da nota promissória / cupom fiscal, no caso de uso exclusivamente residencial.

C. Os períodos de garantia e cobertura a partir da data de emissão dos cupons de notas / cupons de imposto sobre vendas, incluindo o prazo legal de 90 (noventa) dias:

PEÇAS E COMPONENTES	TEMPO
Estrutura	6 meses
Tinta (oxidação)	6 meses
Exibição	6 meses
Partes de plástico e borracha	6 meses
Mão de obra	6 meses

D. As peças reparadas ou trocadas sob esta garantia não interrompem ou prolongam o período de garantia inicialmente estipulado.

E. Para usufruir desta garantia, o equipamento deve ter sido instalado por técnico autorizado, com exceção de produtos residenciais.

F. A garantia não cobre serviços de instalação e manutenção preventiva, como limpeza, lubrificação e regulação do produto.

G. Nenhum revendedor está autorizado a receber o produto de um cliente para enviá-lo à Assistência Técnica Autorizada ou retirá-lo para devolução ao mesmo fornecer informações em nome do Fabricante/Distribuidor sobre o andamento do serviço. O Fabricante/Distribuidor não se responsabiliza por qualquer dano ou atraso devido a esta falha.

H. O Fabricante/Distribuidor manterá as peças de reposição disponíveis até que pare de fabricar ou importar o equipamento. Caso a produção ou importação do equipamento tenha cessado para manter o fornecimento de peças de reposição, o Fabricante/Distribuidor manterá sua linha de equipamentos por um período de tempo razoável, de acordo com a lei.

I. No prazo de 30 (trinta) dias caso o equipamento apresente algum defeito, o cliente pode optar por levar o produto a uma oficina autorizada ou solicitar serviços em domicílio sem despesas de deslocamento nos municípios incluídos na Rede de Assistência Técnica Autorizada. Após o prazo de 30 (trinta) dias ou municípios não incluídos na Rede de Assistência Técnica Autorizada, as Em Razão

de qualquer transporte ou equipamento para serviço de carga, deslocamento ou visita técnica por assistente qualificado, serão devidos ao cliente, se este equipamento estiver coberto por esta garantia.

J. Lubrificantes, silicões para esteiras, vaselina para os pesos guia e micro-óleo para as articulações das estações de musculação, são recomendados exclusivamente pelo fabricante, disponíveis na Rede de Assistência Técnica.

K. Os componentes que se desgastam com o uso regular do equipamento, como escovas do motor, correias, pastilhas, cintas de freio, feltro, correntes e cabos de aço, quando presentes no equipamento, têm garantia de 90 dias a partir da fatura ou defeito de fabricação, apreciado pela Rede de Assistência Técnica Autorizada.

## Rescisão da Garantia:

Esta Garantia será considerada sem efeito quando:

R. O prazo de sua validade normalmente expirou.

B. O equipamento é entregue para reparo por pessoas não autorizadas pelo Fabricante/Distribuidor, se verificados indícios de violação de suas características originais ou montagem fora do nível de fábrica.

C. Ocorreram danos que possam sofrer como resultado de uso indevido, uso de produtos de limpeza inadequados, oxidação causada por agentes externos, intempéries, negligência, modificação, uso de acessórios não recomendados, má concepção da aplicação a que se destina, quedas, perfurações, uso e instalação em desacordo com o manual de instruções, fiação com tensões inadequadas, não ligação à terra em redes de mau tamanho e/ou oscilações e sobrecargas excessivas.

D. Para a linha residencial, é proibida qualquer tipo de manutenção de equipamentos de usuários ou de terceiros que não a rede de assistência técnica.

E. O produto for utilizado em academias, condomínios, clínicas, clubes, saunas, submerso em água ou qualquer uso que se assemelhe a este, bem como qualquer uso que não seja a finalidade da aplicação a que se destina.

## Observações:

A. Cabos, mosquetões, pedais quando já existentes no produto devem ser substituídos uma vez por ano.

B. O Fabricante/Distribuidor não se responsabiliza por possíveis acidentes e suas consequências, decorrentes da violação das características originais ou montagem fora do padrão de fábrica de seus equipamentos.

C. São de responsabilidade do cliente os custos de atendimento de chamados infundados julgados.

**Nota:** Reservas do fabricante/distribuidor

***Athletic***