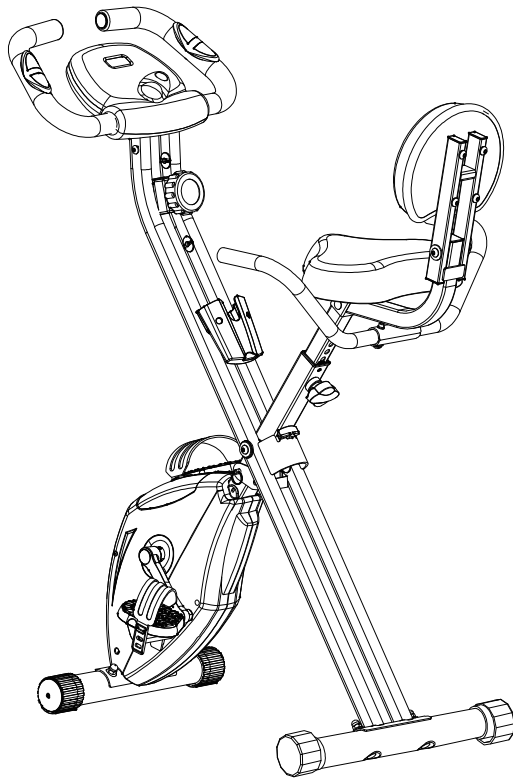


100XB

Instruction Manual - Manual de Instrucciones



Athletic
BEST FOR LIFE

Thank you for purchasing an Universal Fitness product!

It is with great pleasure that we offer you the opportunity, guidance and encouragement to practice aerobic and muscular exercises, getting like this, the physical preparation needed to feel good.

Universal Fitness guarantees a reliable and modern product, produced with high technology for people who care about their well-being.

This manual covers the main information, the basic structure and the main operation and preventive maintenance. It will help you familiarize yourself with all the equipment functions, for you enjoy it for a long time.

Gracias por comprar un producto Universal Fitness!

Es con gran placer que le ofrecemos, orientación, estímulo y oportunidad de practicar ejercicio aeróbico y muscular, ganando la preparación física necesaria para sentirse bien.

Universal Fitness garantiza un producto confiable y moderno, producido con alta tecnología por personas que se preocupan por su bienestar.

Este manual cubre los datos clave, la estructura básica y principales procedimientos de operación y mantenimiento preventivo. Te ayudará a familiarizarse con todas las funciones del equipo para asegurar que usted disfrute de su producto por mucho tiempo.



ATTENTION / ATENCIÓN

Carefully read the safety and usage guidelines contained herein. Follow the guidelines for correct assembly of the product.

Caution: Do not push any objects into the openings of the product. Stay clear of moving parts.

Safety and security: it is the owner's responsibility to ensure that all users are properly informed about safety precautions, use, maintenance and care of the product.

Lea cuidadosamente las instrucciones de seguridad y uso contenidas en el presente documento. Siga las instrucciones para el correcto montaje del producto.

Precaución: No introduzca ningún objeto en las aberturas del producto. Manténgase alejado de las piezas móviles.

Protección y seguridad: es responsabilidad del propietario asegurarse de que todos los usuarios estén bien informados sobre las precauciones de seguridad, uso, mantenimiento y cuidado del producto.



Inappropriate use for children and animals.
El uso inapropiado para los niños y los animales.



CONTENTS/SUMARIO

english	SAFETY INFORMATION	4
	TECHNICAL SPECIFICATIONS	5
	ASSEMBLY	6
	TENSION AND STORAGE INSTRUCTIONS	9
	MONITOR	10
	WARRANTY TERM	11

español	INFORMACIÓN DE SEGURIDAD	12
	ESPECIFICACIONES TÉCNICAS	13
	MONTAJE	14
	INSTRUCCIONES DE TENSION Y ALMACENAMIENTO	17
	MONITOR	18
	GARANTÍA	19



SAFETY INFORMATION

Read this manual before using the product and retain for future reference, avoiding heating risks, fire, electric shock or injury. It is the owner's responsibility to ensure that all users of the equipment are adequately informed of the safety precautions.

General Considerations

- Place the equipment on a level surface at least 30 cm away from any wall, keeping free from any obstacle.
- Never allow the use of the equipment for more than one person at a time.
- This product is not intended for use by persons (including children) with some reduced physical, sensory or mental capacity, lack of experience and knowledge, unless they have given proper product use instructions and is under the care of a person responsible for their safety. Children should be observed so that they do not play with the product, whether or not in use.
- Consult your doctor before starting and during any exercise program. Special attention should be given to children, pregnant women, elderly, people with heart problems and people with disabilities.
- Keep away from equipment, children and pets, especially during use and do not enter or leave objects on the equipment openings.
- Use appropriate sportswear. Do not wear loose clothing which might be attached to the equipment. Always wear shoes to work out. Do not walk barefoot or in sandals.

Conservations and Cleaning

- Periodically make sure that the equipment is in good condition by checking the connections and fasteners.
- The cleaning of equipment should be done only with a cloth moistened with water. Never use abrasives, alcohol or solvents for cleaning.
- Do not leave the equipment exposed to natural agents such as sunlight, rain, dew, dust, salt spray etc. Do not place it in a dusty or humid environment, humid, saunas or anywhere unventilated.
- Always use original spare parts as the conservation or improper maintenance can cause damage to the product, as well as the loss of warranty.

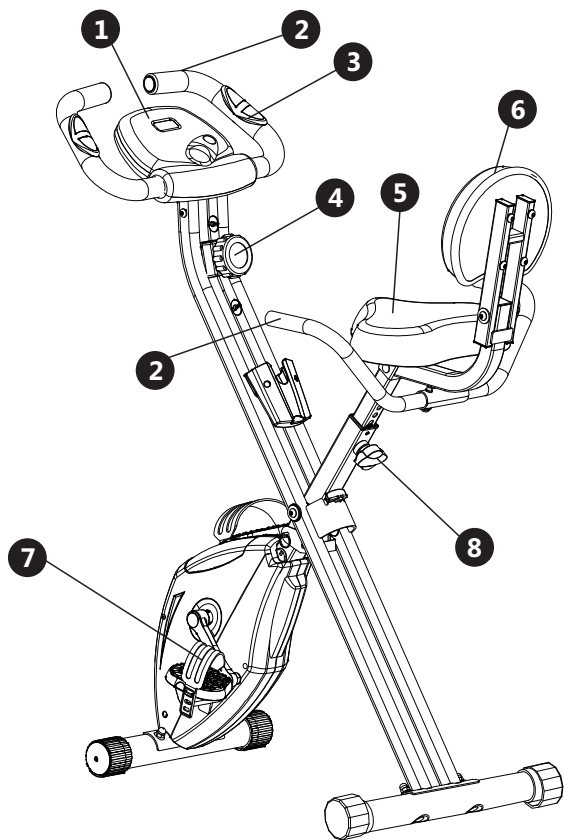
Observations

- A. The customer is responsible for all costs resulting from unfounded answering calls.
- B. No dealer or authorized technical assistant is authorized to change these Terms or make commitments on behalf of the manufacturer / supplier.
- C. The manufacturer / supplier is not responsible for any accidents and their consequences, arising from breach of the original features or assembly outside the standard of their products factory.

NOTE: The drawings and photos contained in this manual are merely illustrative. The manufacturer / supplier reserves the right to change specifications and design without notice. This manual can illustrate optional that are not part of the equipment purchased.

COMPONENTS AND TECHNICAL SPECIFICATIONS

1. Monitor
2. Handlebar
3. Handle pulse
4. Tension control
5. Seat
6. Back cushion
7. Pedal
8. Set adjustment



Product		Packaged	
Net weight (approximate)	16,5kg/36,4lbs	Gross weight	18,5kg/40,8lbs
Maximum width	950 mm	Width (carton box)	220 mm
Maximum length	540 mm	Height (carton box)	395 mm
Maximum height	1140 mm	Lenght (carton box)	1165 mm

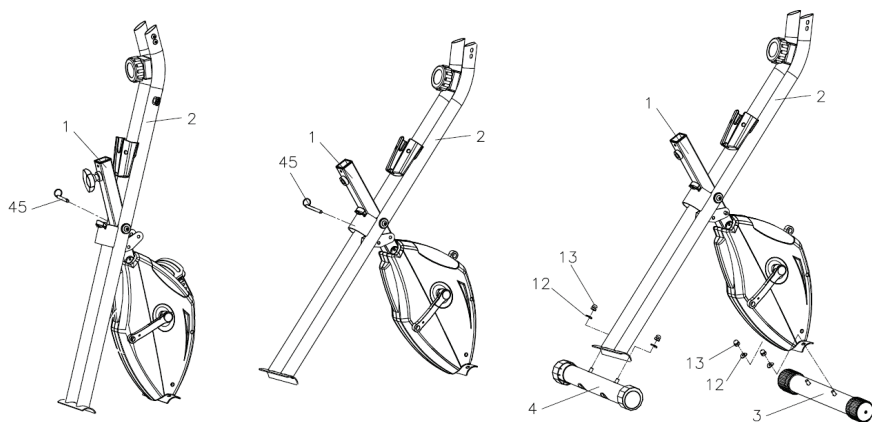
ASSEMBLY



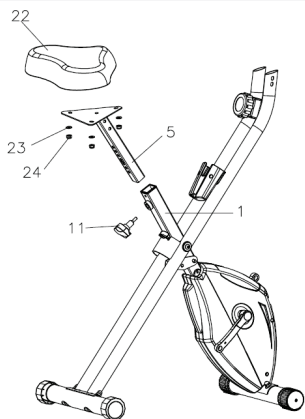
NOTE: Place the packaging with the equipment on a level surface. It is recommended that you place a protective cover for your floor. Exercise caution when you are loading and transporting equipment. Unpack and assemble the equipment where it will be used. If necessary, ask the help of someone else.

STEP 1

Pull out the lock pin from the main frame and adjust it to the correct position. Insert the lock pin to the main frame and attach the front & rear stabilizer tubes to the main frame, tighten with curve washers and domed nuts.



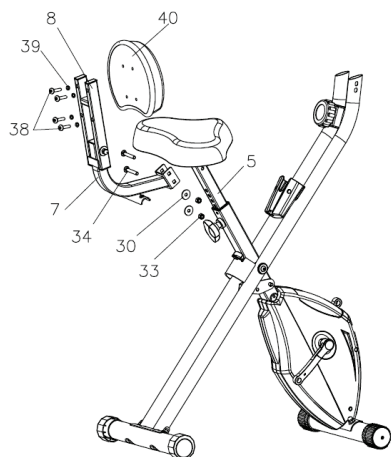
STEP 2



Attach the seat to the seat support tube, tighten with flat washers and nylon nuts.

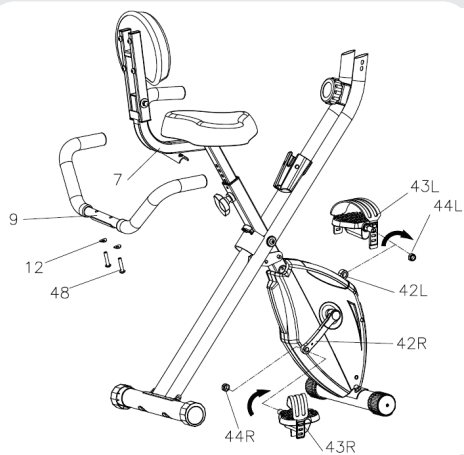
Insert the seat support tube to the mainframe, fasten with a club knob.

STEP 3



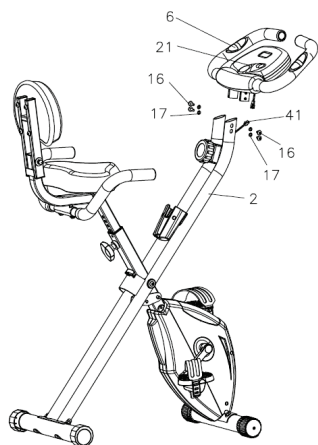
Tighten the Back Rest Seat with nylon nuts. Insert the seat support tube to the mainframe, fasten with a club knob.

STEP 4



Tighten the Rest of Parts according to below picture. Please pay attention to the direction of the pedal tighten way.

STEP 5



Attach the handlebar tube to the rear support tube, tighten with spring washers, allen bolts. Insert the extension sensor wire in the back side of computer.

ASSEMBLY COMPLETED

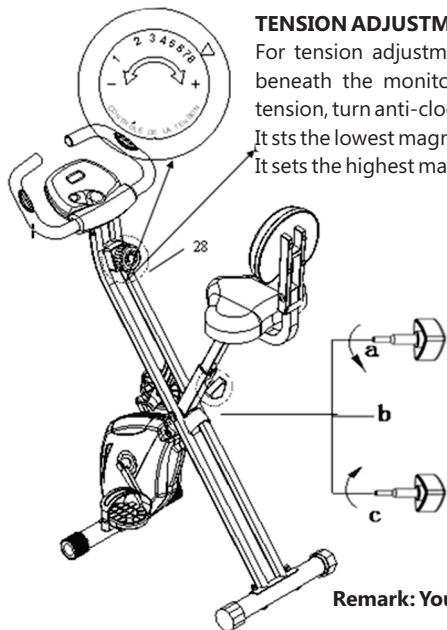
TENSION AND STORAGE INSTRUCTIONS

TENSION ADJUSTMENT

For tension adjustment, simply use the tension adjustment knob (28) found beneath the monitor. To increase tension, turn clockwise (+), to decrease tension, turn anti-clockwise (-).

It sets the lowest magnetic force on the level 1.

It sets the highest magnetic force on the level 8.



How to adjust the seat's height:

a: Rotate the knob in the anticlockwise direction till getting it out.

b. Move the saddle post upward or downward to get the desired location.

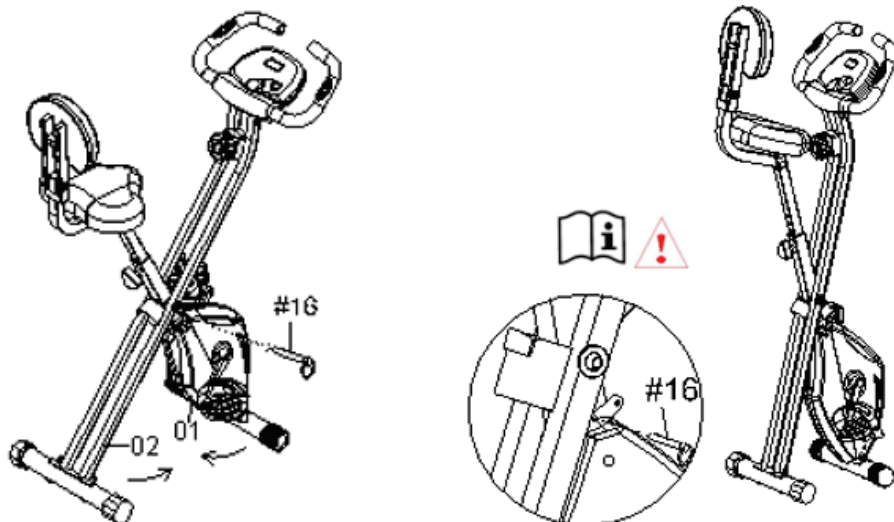
c. Rotate the knob in the clockwise direction till locking it tightly.

Remark: You must lock the knob tightly in order to prevent any accident.

How to fold the bike:

1. Pull the pin (16) out and fold the main frame (01) to the main frame (02) as the direction of the arrow shown in figure.

2. Insert the pin (16) into the hole of the steel plate of the main frame (02).



MONITOR

SPECIFICATIONS:

TIME (TMR)	00:00 - 99:59
SPEED (SPD)	0.0 - 99.9KM/H (ML/H)
DISTANCE (DIST)	0.00 - 99.99KM (ML)
CALORIES (CAL)	0.0 - 999.9KCAL
ODOMETER (ODO)	0 - 9999KM (ML)
PULSE (PUL)	40 - 240BPM



KEY FUNCTIONS

MODE: This key lets you to select and lock on to a particular function you want.

OPERATION PROCEDURES

1. AUTO ON/OFF

- The system turns on when any key is pressed or when it sensor an input from the speed sensor.
- The system turns off automatically when the speed has no signal input or no key are pressed for approximately 4 minutes.

2. RESET

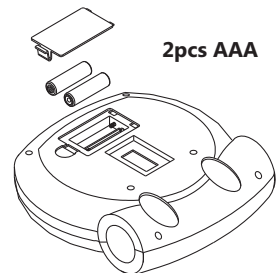
The unit can be reset by either changing battery or pressing the MODE key for 3 seconds.

3. MODE

To choose the SCAN or LOCK if you do not want the scan mode, press the MODE key when the pointer on the function you want which begins blinking.

FUNCTIONS

1. TIME: Press the MODE key until pointer lock on to TIME. The total working time will be shown when starting exercise.
2. SPEED: Press the MODE key until the pointer advance to SPEED. The current speed will be shown.
3. DISTANCE: Press the MODE key until the pointer advance to DISTANCE. The distance of each workout will be displayed.
4. CALORIE: Press the MODE key until pointer lock on to CALORIE. The calorie burned will be displayed when starting exercise.
5. ODOMETER: Press the MODE key until the pointer advance to ODOMETER. The total accumulated distance will be shown.
6. PULSE: Press the MODE key until the pointer advance to PULSE. User's current heart rate will be displayed in beats per minute. Place the palms of your hands on both of the contact pads, and wait for 30 seconds for the most accurate reading.
7. SCAN: Automatically display changes every 4 seconds.
8. BATTERY: If improper display on monitor, please reinstall the batteries to have a good result.



WARRANTY

General Warranty Terms

- a. The warranty will be carried out only upon presentation of the original bill of sale/receipt, and within the time limits set out in this Agreement. The warranty is provided by the Authorised Technical Service.
- b. The conditions set out in this Agreement are guaranteed to the first user purchaser of this product for a period of one (1) year (including the legal guarantee period - first 90 (ninety) days counted from the date of issuance of the note / tax coupon sale, in case of exclusively residential use.
- c. Warranty periods and coverage starting from the date of issuance of the note / tax coupon sale, including the statutory period of ninety (90) days:

PARTS AND COMPONENTS	WARRANTY TIME
Structure	1 year
Painting (oxidation)	1 year
Monitor	1 year
Strain control motor	1 year
Belt	90 days
Cover	1 year
Plastic parts and rubber	1 year
Pedals	1 year
Reactor	1 year
Manpower	1 year
Manufacturing defects	1 year
Technical displacement	30 days

- d. Parts repaired or replaced under this warranty does not stop nor extend the warranty period originally stipulated.
- e. To utilize this warranty, the equipment must have been installed by Authorised Technical Service, except for residential products.
- f. The warranty does not cover installation and preventive maintenance services such as cleaning, lubrication and adjustment of the product.
- g. No dealer is authorized to receive client product from a costumer to send it to the support or to return to it and provide information in the name of Manufacturer / Supplier about the progress of the service. The Manufacturer / Supplier or Authorised Technical Service will not be responsible for any damage or delay because of this non-compliance.
- h. The Manufacturer / Supplier will hold a spare parts inventory until they cease the manufacture or import the equipment. If ceased the production or import of the equipment the Manufacturer / Supplier spare supply its line of equipment for a reasonable period of time, according to the law.
- i. Within the period of 30 (thirty) days if the equipment presents some functional problem, the customer may choose to take the product to an authorized posts or requesting service in

- your home without travel expenses in those municipalities covered by the Authorised Technical Service. After the period of thirty (30) days or municipalities not covered by the Authorised Technical Service expenses resulting from any transport or equipment to a freight service, displacement or technical visit by qualified assistant, are due to the customer, whether or not this equipment covered by this warranty.
- j. Lubricants, silicones for treadmills, vaseline to the guide weights and micro oil to the joints of weight stations, should be exclusively recommended by the manufacturer, available in the Authorised Technical Service.
- k. Components that wear out with regular use of equipment such as motor brushes, belts, pads, brake bands, felt, steel chains and cables, when present in the equipment, will guarantee for a period of 90 days from the invoice or manufacturing defect found by the Authorised Technical Service.

End of Warranty

This warranty will be considered void when:

- a. The normal period of its validity.
- b. The equipment is delivered for repair by anyone not authorized by Manufacturer / Supplier, signals are checked violation of its original features or assembly outside the factory default.
- c. Damage that it will suffer as a result of misuse, use of improper cleaning products, oxidation originating from external agents, weathering, neglect, modification, use of accessories not recommended, bad design for the application for which it is, falls, perforations, use and installation not in accordance with the instruction manual, wiring unfit tensions, ungrounded in bad sized grids and / or excessive fluctuations and overloads.
- d. For residential line is forbidden any type of user equipment maintenance or a third party other than the Authorised Technical Service.
- e. The product is used in academies, condos, clinics, clubs, saunas, submerged in water or any use so that it resembles that does not end for residential application or purpose for which it is intended.

Observations

- a. Cables, carabiners, pedals when existing in the product must be replaced once a year.
- b. The Manufacturer / Supplier is not responsible for any accidents and their consequences, arising from breach of the original features or assembly outside the factory default of their equipment.
- c. Customer's responsibility are the costs of unfounded judged call answering.

Note: The Manufacturer / Supplier reserves the right to make changes without notice this.



INFORMACIÓN DE SEGURIDAD

Lea este manual antes de utilizar el producto y guárdelo para consultarlo en el futuro, evitando los riesgos de calentamiento, incendio, descargas eléctricas o lesiones. El propietario es responsable de asegurar que todos los usuarios de los equipos estén adecuadamente informados sobre las precauciones de seguridad.

Consideraciones Generales

- Coloque el equipo sobre una superficie plana por lo menos 30 cm de distancia de cualquier pared, manteniendo libre de cualquier obstáculo.
- Nunca permita el uso del equipo por más de una persona a la vez.
- Este producto no está destinado a ser utilizado por personas (incluidos niños) con alguna disminución de la capacidad física, sensorial o mental, la falta de experiencia y conocimiento, a menos que se han dado las instrucciones adecuadas de uso del producto y está bajo el cuidado de un persona responsable de su seguridad. Los niños deben ser observados para que no jueguen con el producto, sea o no en uso.
- Consulte a su médico antes de iniciar y durante cualquier programa de ejercicios. Especial atención se debe dar a los niños, mujeres embarazadas, ancianos, personas con problemas de corazón y las personas con discapacidad.
- Mantener alejado de los equipos, los niños y los animales domésticos, sobre todo durante el uso y no entrar o salir de los objetos en las aberturas del equipo.
- Utilizar ropa deportiva adecuada. No use ropa suelta que pueda ser conectado al equipo. Siempre use zapatillas de deporte para hacer ejercicio. No camine descalzo o con sandalias.

Conservación y limpieza

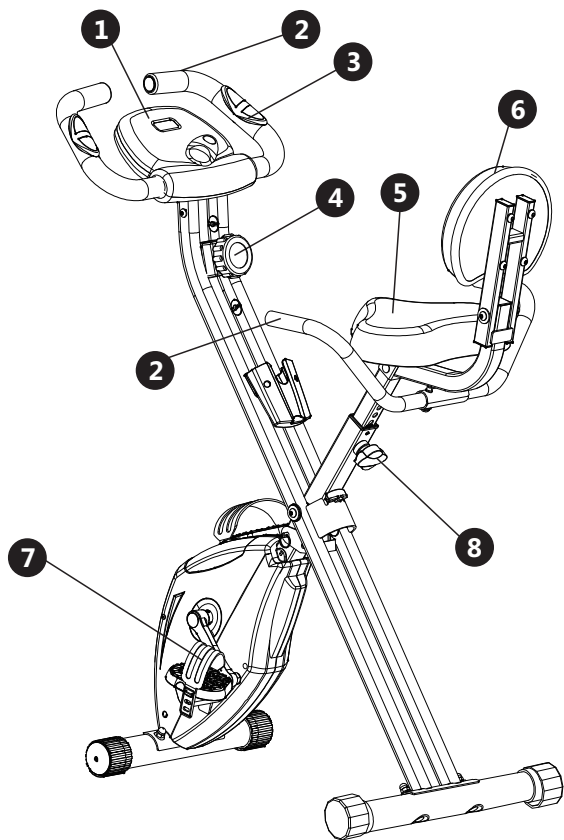
- Periódicamente asegúrese de que el equipamiento está en buenas condiciones verificando las conexiones y elementos de fijación.
- La limpieza de su equipo debe ser realizada apenas con un paño humedecido en agua. Nunca use abrasivos, alcohol o solvente para la limpieza.
- No deje el equipamiento expuesto a agentes naturales como: luz solar, lluvia, rocío, polvo, mareas, etc.
- Use siempre piezas originales para reposición.
- La conservación / manutención incorrecta podrá acarrear daños al producto, así como la pérdida de la garantía.

Observaciones

- A. El cliente es responsable de los costes derivados de contestar llamadas juzgadas infundadas.
- B. Ningún distribuidor o servicio técnico autorizado de servicio está autorizado a cambiar estos Términos o compromisos con el fabricante.
- C. El fabricante no se responsabiliza de los accidentes y sus consecuencias, derivada del incumplimiento de las características originales o montaje fuera de la norma de su fábrica de productos.

NOTA: Los dibujos y fotos contenidas en este manual son meramente ilustrativas. El fabricante se reserva el derecho de cambiar las especificaciones y el diseño sin previo aviso. Este manual puede ilustrar opcionales que no forman parte del equipo adquirido.

COMPONENTES Y ESPECIFICACIONES TÉCNICAS



1. Monitor
2. Manillar
3. Pulso
4. Control de tensión
5. Asiento
6. Amortiguador trasero
7. Pedal
8. Perilla de ajuste

Producto		Envasado	
Peso neto (aproximado)	16,5kg/36,4lbs	Peso bruto	18,5kg/40,8lbs
Largo máxima	950 mm	Ancho (caja)	220 mm
Ancho máximo	540 mm	Altura (caja)	395 mm
Altura máxima	1140 mm	Largo (caja)	1165 mm

MONTAJE

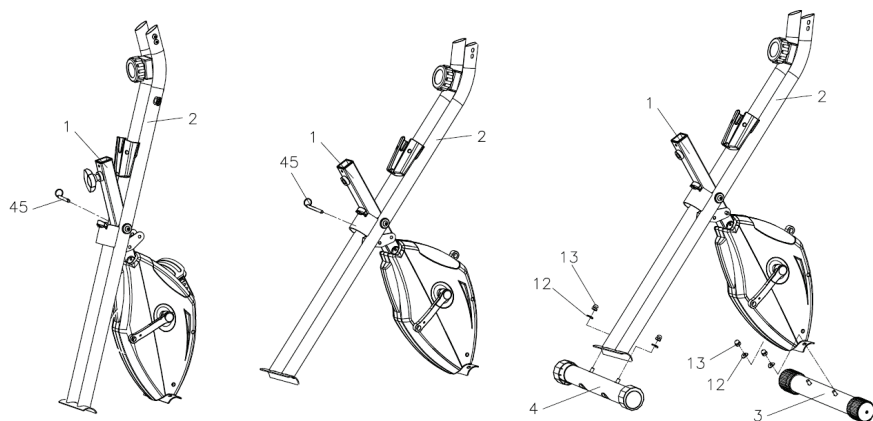


NOTA: Coloque el embalaje con el equipo en una superficie plana. Se recomienda que coloque una cubierta protectora para su piso. Tenga precaución al que va a cargar y transportar el equipo. Desembale y montar el equipo donde se utilizará.

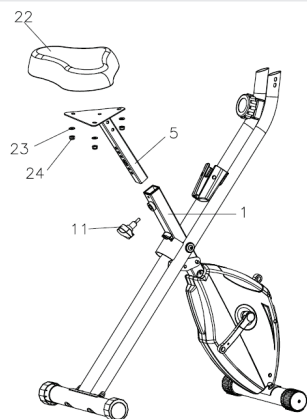
Si es necesario, pida la ayuda de otra persona.

PASO 1

Saque el pasador de bloqueo de la estructura principal y ajústelo a la posición correcta. Inserte el pasador de bloqueo en la estructura principal y fije los tubos estabilizadores delantero y trasero a la estructura principal, apriételos con arandelas curvas y tuercas abovedadas.



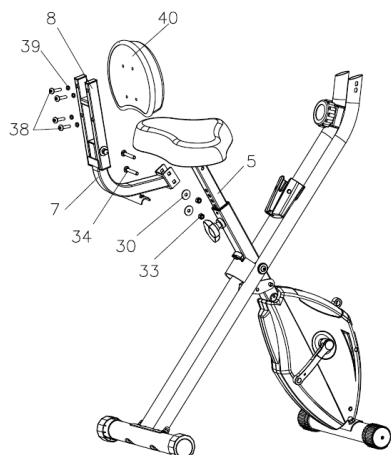
PASO 2



Acople el asiento al tubo de soporte del asiento, apriételo con arandelas planas y tuercas de nylon.

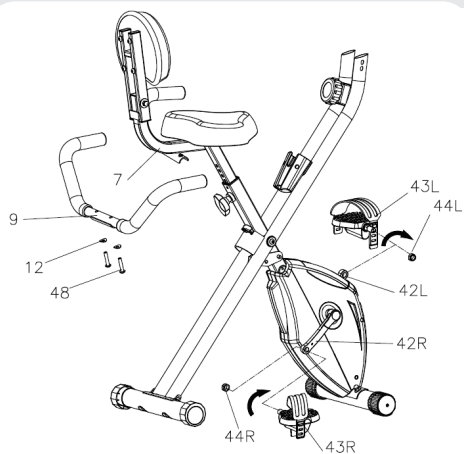
Inserte el tubo de soporte del asiento en la estructura principal, apriételo con la perilla.

PASO 3



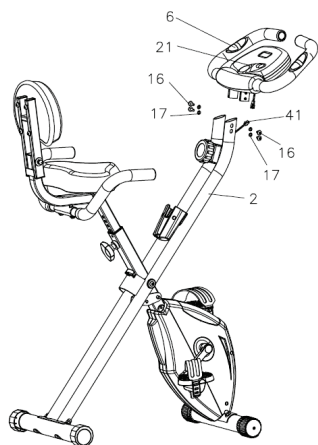
Apriete el respaldo del asiento con tuercas de nylon. Inserte el tubo de soporte del asiento en la estructura principal, y sujételo con un pomo del palo.

PASO 4



Apriete el resto de piezas de acuerdo con la imagen de abajo. Por favor, preste atención a la dirección del pedal para apretar.

PASO 5



Acople el tubo del manillar al tubo de soporte trasero, apriételo con arandelas de resorte, tornillos Allen. Inserte el cable del sensor de extensión en la parte posterior del monitor.

MONTAJE COMPLETA

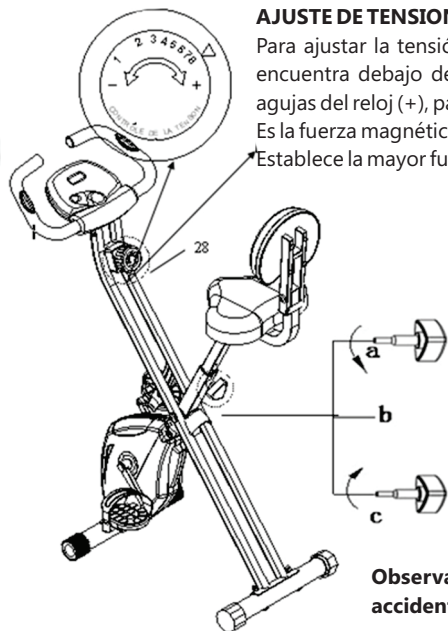
INSTRUCCIONES DE TENSION Y ALMACENAMIENTO

AJUSTE DE TENSION

Para ajustar la tensión, simplemente use la perilla de ajuste de tensión (28) que se encuentra debajo del monitor. Para aumentar la tensión, gire en el sentido de las agujas del reloj (+), para disminuirla, gire en el sentido contrario.

Es la fuerza magnética más baja en el nivel 1.

Establece la mayor fuerza magnética en el nivel 8.



Cómo ajustar la altura del asiento:

a: Gire la perilla en sentido contrario a las agujas del reloj hasta que salga.

b. Mueva el poste hacia arriba o hacia abajo para obtener la ubicación deseada.

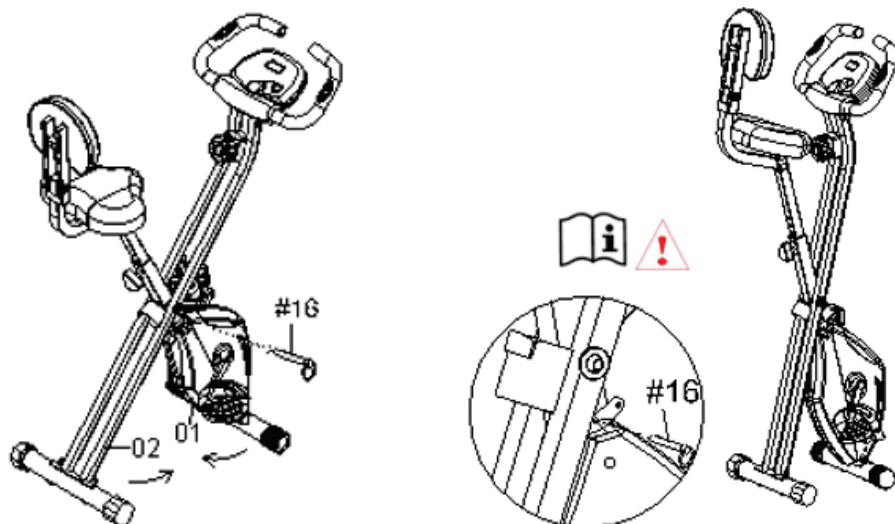
c. Gire el mando en el sentido de las agujas del reloj hasta que quede bien ajustado.

Observación: debe bloquear la perilla suavemente para evitar accidentes.

How to fold the bike:

1. Pull the pin (16) out and fold the main frame (01) to the main frame (02) as the direction of the arrow shown in figure.

2. Insert the pin (16) into the hole of the steel plate of the main frame (02).



MONITOR

ESPECIFICACIONES:

TIME (TMR) = TIEMPO	00:00 - 99:59
SPEED (SPD) = VELOCIDAD	0.0 - 99.9KM/H (ML/H)
DISTANCE (DIST) = DISTANCIA	0.00 - 99.99KM (ML)
CALORIES (CAL) = CALORIES	0.0 - 999.9KCAL
ODOMETER (ODO) = ODOMETER	0 - 9999KM (ML)
PULSE (PUL) = PULSO	40 - 240BPM



FUNCIONES CLAVE

MODO: esta tecla le permite seleccionar y bloquear una función particular que desee.

PROCEDIMIENTOS DE OPERACIÓN

1. AUTO ON / OFF

El sistema se enciende cuando se presiona cualquier tecla o cuando detecta una entrada del sensor de velocidad.

El sistema se apaga automáticamente cuando la velocidad no tiene entrada de señal o no se presiona ninguna tecla durante aproximadamente 4 minutos.

2. RESTABLECER

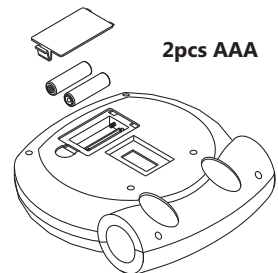
La unidad se puede reiniciar cambiando la batería o presionando la tecla MODE durante 3 segundos.

3. MODO

Para elegir SCAN o LOCK si no desea el modo de exploración, presione la tecla MODE cuando el puntero en la función que desea comience a parpadear.

LAS FUNCIONES

1. HORA: presione la tecla MODE hasta que el puntero se bloquee en HORA. El tiempo total de trabajo se mostrará al comenzar el ejercicio.
2. VELOCIDAD: presione la tecla MODE hasta que el puntero avance a VELOCIDAD. Se mostrará la velocidad actual.
3. DISTANCIA: Presione la tecla MODE hasta que el puntero avance a DISTANCIA. Se mostrará la distancia de cada entrenamiento.
4. CALORIE: Presione la tecla MODE hasta que el puntero se bloquee en CALORIE. Las calorías quemadas se mostrarán al comenzar el ejercicio.
5. ODÓMETRO: presione la tecla MODO hasta que el puntero avance a ODÓMETRO. Se mostrará la distancia total acumulada.
6. PULSE: presione la tecla MODE hasta que el puntero avance a PULSE. La frecuencia cardíaca actual del usuario se mostrará en latidos por minuto. Coloque las palmas de las manos en ambas almohadillas de contacto y espere 30 segundos para obtener la lectura más precisa.
7. EXPLORACIÓN: muestra automáticamente los cambios cada 4 segundos.
8. BATERÍA: si la pantalla no es correcta en el monitor, vuelva a instalar las baterías para obtener un buen resultado.



GARANTIA

Condiciones Generales de la Garantía

- La atención en garantía será realizada solamente mediante la presentación de la factura/cupón fiscal original de venta y en los límites establecidos por este término. La garantía será prestada por la Red de Asistencia Técnica Autorizada.
- Las condiciones establecidas en el presente Acuerdo se garantizan al primer comprador usuario de este producto por un periodo de un (1) año (incluyendo el periodo de garantía legal - primeros 90 (noventa) días contados a partir de la fecha de emisión de la venta de cupones de la nota / de impuestos, en caso de uso exclusivamente residencial.
- Los periodos de garantía y la cobertura a partir de la fecha de emisión de la venta de cupones de la nota / de impuestos, incluyendo el plazo estatutario de los noventa (90) días:

PIEZAS Y COMPONENTES

PERÍODO DE GARANTÍA

Estructura	1 año
Pintura (oxidación)	1 año
Monitor	1 año
Motor regulador de esfuerzo	1 año
Correa	90 días
Carenado	1 año
Piezas de plástico y de caucho	1 año
Pedales	1 año
Reactor	1 año
Mano de obra	1 año
Defectos de fabricación	1 año
Desplazamiento técnico	30 días

- Las piezas reparadas o cambiadas bajo esta garantía no se detiene ni se extienden el periodo de garantía estipulado inicialmente.
- Para utilizar esta garantía, el equipo debe haber sido instalado por el asistente técnico autorizado, a excepción de los productos residenciales.
- La garantía no cubre los servicios de instalación y mantenimiento preventivo, como la limpieza, lubricación y ajuste del producto.
- Ningún revendedor está autorizado a recibir producto de cliente para encaminarlo a la Asistencia Técnica Autorizada o de esta retirarlo para devolución al mismo proporcionar informaciones en nombre de Fabricante / distribuidor sobre el progreso del servicio. El Fabricante / distribuidor no se responsabilizará por cualquier daño o retraso debido a este incumplimiento.
- El Fabricante / distribuidor mantendrá disponibles los repuestos hasta que dejen de fabricar o importar el equipo. Si cesado la producción o importación de los equipos para mantener el suministro de repuesto el Fabricante / distribuidor su línea de equipos para un periodo de tiempo razonable, de acuerdo con la ley.

- Dentro del plazo de 30 (treinta) días si el equipo presenta algún mal funcionamiento, el cliente puede optar por llevar el producto a un puestos autorizados o servicios que solicite en su casa sin gastos de viaje en los municipios incluidos en la Red de Asistencia Técnica Autorizada. Transcurrido el plazo de treinta (30) días o municipios no incluidos en la Red de Asistencia Técnica Autorizada los gastos resultantes de cualquier transporte o el equipo a un servicio de carga, desplazamiento o visita técnica por ayudante cualificado, se deben al cliente, si este equipo cubierto por esta garantía.
- Lubricantes, siliconas para caminadoras, vaselina para los pesos de guía y micro aceite a las articulaciones de las estaciones de peso, se recomienda exclusivamente por el fabricante, disponible en la Red de Asistencia Técnica Autorizada.
- Los componentes que se desgastan con el uso regular de los equipos, tales como escobillas del motor, correas, pastillas, bandas de freno, fieltro, cadenas y cables de acero, cuando está presente en el equipo, garantizan por un periodo de 90 días a partir de la factura o defecto de fabricación, apreciada por la Red de Asistencia Técnica Autorizada.

Extinción de la Garantía:

Esta Garantía será considerada sin efecto cuando:

- Haya transcurrido normalmente el plazo de su validez.
- El equipamiento fuere entregado para reparación de las personas no autorizadas por el Fabricante / distribuidor, fueren verificados signos de violación de sus características originales o montaje fuera del nivel de fábrica.
- Hayan ocurrido daños que este venga a sufrir como consecuencia de mal uso, uso de productos de limpieza inadecuados, la oxidación de origen de los agentes externos, a la intemperie, negligencia, modificación, uso de accesorios no recomendados, mal diseño de la aplicación para la que es, caídas, perforaciones, utilizar e instalación que no esté conforme con el manual de instrucciones, cableado tensiones no aptos, sin conexión a tierra en redes de tamaño malos y / o fluctuaciones y sobrecargas excesivas.
- Para la línea residencial está prohibido cualquier tipo de mantenimiento del equipo de usuario o un tercero distinto de la red de asistencia técnica.
- El producto fuera utilizado en academias, condominios, clínicas, clubes, saunas, sumergido en agua o cualquier modo de uso que se asemeje a este, así como cualquier uso que no sea la finalidad de aplicación a que se destina.

Observaciones:

- Cables, mosquetones, pedales cuando ya existente en el producto deben ser reemplazados una vez al año.
- El Fabricante / distribuidor no se responsabiliza por eventuales accidentes y sus consecuencias, derivadas de la violación de las características originales o montaje fuera del estándar de fábrica de sus equipamientos.
- Son de responsabilidad del cliente los costos de atención de llamadas infundado juzgado.

Nota: El Fabricante / distribuidor se reserva el derecho de promover alteraciones de éste sin previo aviso.



www.athleticbrazil.com

Health tips, new products and more!

Consejos de salud, nuevos productos y más!

Technical Assistance Network and Customer Service: see website.
Red de Asistencia Técnica y Servicio al Cliente: Consulte el sitio web.