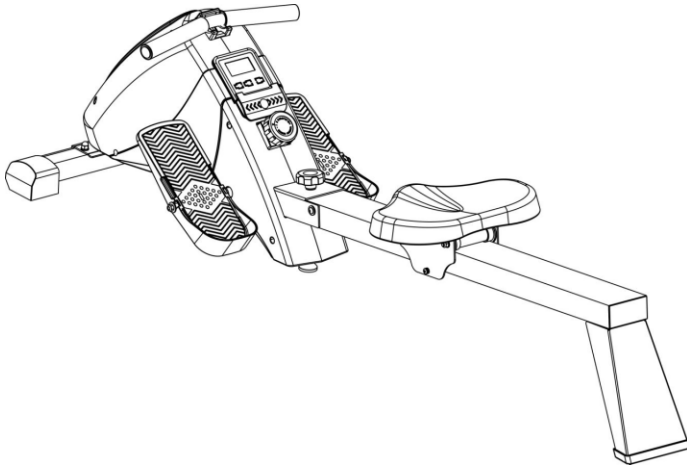


ROWER

Instruction Manual - Manual de Instrucciones



CONTENTS/SUMARIO

english	SAFETY INFORMATION.....	3
	ASSEMBLY.....	4
	MONITOR.....	7
	WARRANTY.....	9
español	INFORMACIÓN DE SEGURIDAD.....	11
	MONTAJE.....	12
	MONITOR.....	15
	GARANTÍA.....	17

Thank you for purchasing an Universal Fitness product!

It is with great pleasure that we offer you the opportunity, guidance and encouragement to practice aerobic and muscular exercises, getting like this, the physical preparation needed to feel good.

Universal Fitness guarantees a reliable and modern product, produced with high technology for people who care about their well-being.

This manual covers the main information, the basic structure and the main operation and preventive maintenance. It will help you familiarize yourself with all the equipment functions, for you enjoy it for a long time.

Gracias por comprar un producto Universal Fitness!

Es con gran placer que le ofrecemos, orientación, estímulo y oportunidad de practicar ejercicio aeróbico y muscular, ganando la preparación física necesaria para sentirse bien.

Universal Fitness garantiza un producto confiable y moderno, producido con alta tecnología por personas que se preocupan por su bienestar.

Este manual cubre los datos clave, la estructura básica y principales procedimientos de operación y mantenimiento preventivo. Te ayudará a familiarizarse con todas las funciones del equipo para asegurar que usted disfrute de su producto por mucho tiempo.



ATTENTION / ATENCIÓN

Carefully read the safety and usage guidelines contained herein. Follow the guidelines for correct assembly of the product.

Caution: Do not push any objects into the openings of the product. Stay clear of moving parts.

Safety and security: it is the owner's responsibility to ensure that all users are properly informed about safety precautions, use, maintenance and care of the product.

Lea cuidadosamente las instrucciones de seguridad y uso contenidas en el presente documento. Siga las instrucciones para el correcto montaje del producto.

Precaución: No introduzca ningún objeto en las aberturas del producto. Manténgase alejado de las piezas móviles.

Protección y seguridad: es responsabilidad del propietario asegurarse de que todos los usuarios estén bien informados sobre las precauciones de seguridad, uso, mantenimiento y cuidado del producto.



Inappropriate use for children and animals.
El uso inapropiado para los niños y los animales.





SAFETY INFORMATION

Read this manual before using the product and retain for future reference, avoiding heating risks, fire, electric shock or injury. It is the owner's responsibility to ensure that all users of the equipment are adequately informed of the safety precautions.

General Considerations

- Place the equipment on a level surface at least 30 cm away from any wall, keeping free from any obstacle.
- Never allow the use of the equipment for more than one person at a time.
- This product is not intended for use by persons (including children) with some reduced physical, sensory or mental capacity, lack of experience and knowledge, unless they have given proper product use instructions and is under the care of a person responsible for their safety. Children should be observed so that they do not play with the product, whether or not in use.
- Consult your doctor before starting and during any exercise program. Special attention should be given to children, pregnant women, elderly, people with heart problems and people with disabilities.
- Keep away from equipment, children and pets, especially during use and do not enter or leave objects on the equipment openings.
- Use appropriate sportswear. Do not wear loose clothing which might be attached to the equipment. Always wear shoes to work out. Do not walk barefoot or in sandals.

Conservations and Cleaning

- Periodically make sure that the equipment is in good condition by checking the connections and fasteners.
- The cleaning of equipment should be done only with a cloth moistened with water. Never use abrasives, alcohol or solvents for cleaning.
- Do not leave the equipment exposed to natural agents such as sunlight, rain, dew, dust, salt spray etc. Do not place it in a dusty or humid environment, humid, saunas or anywhere unventilated.
- Always use original spare parts as the conservation or improper maintenance can cause damage to the product, as well as the loss of warranty.

Observations

- A. The customer is responsible for all costs resulting from unfounded answering calls.
- B. No dealer or authorized technical assistant is authorized to change these Terms or make commitments on behalf of the manufacturer / supplier.
- C. The manufacturer / supplier is not responsible for any accidents and their consequences, arising from breach of the original features or assembly outside the standard of their products factory.

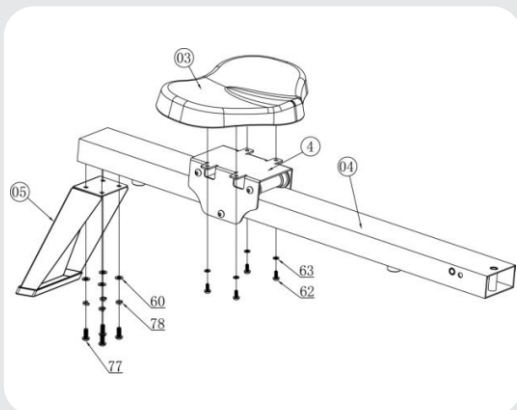
NOTE: The drawings and photos contained in this manual are merely illustrative. The manufacturer / supplier reserves the right to change specifications and design without notice. This manual can illustrate optional that are not part of the equipment purchased.

ASSEMBLY



NOTE: Place the packaging with the equipment on a level surface. It is recommended that you place a protective cover for your floor. Exercise caution when you are loading and transporting equipment. Unpack and assemble the equipment where it will be used. If necessary, ask the help of someone else.

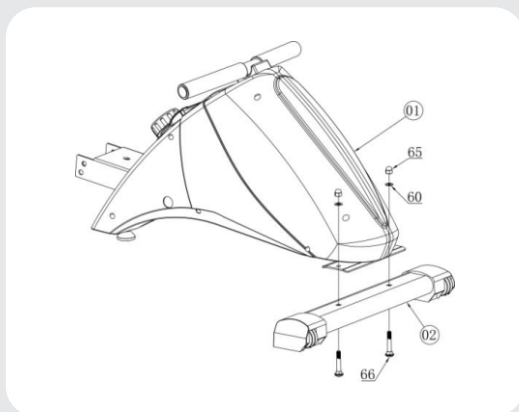
STEP 1



Fix the rear structure (5) using Bolt (77), Spring Washer (78) and Washer (60) to connect it with seat bracket (04) and lock them.

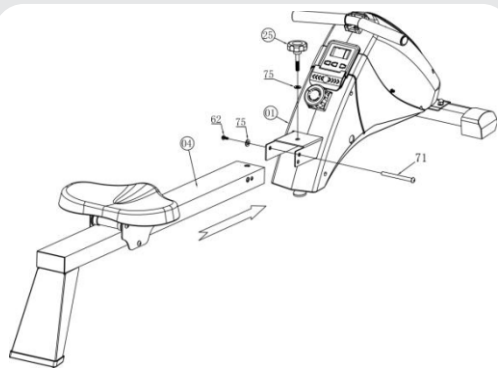
Assemble the seat (3) on the cushion board (4) using Screw (62), Washer (63).

STEP 2



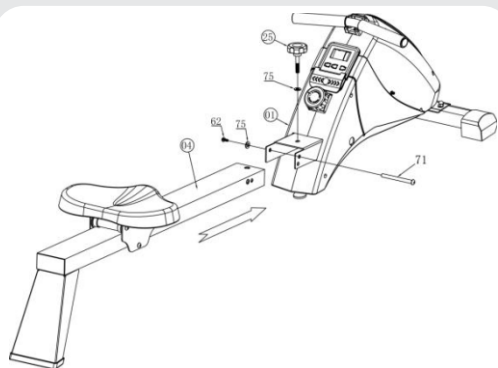
Attach the Front Stabilizer (02) to the underside of the Main Frame (01) using Bolt (66), Washer (60) and Nut (65).

STEP 3



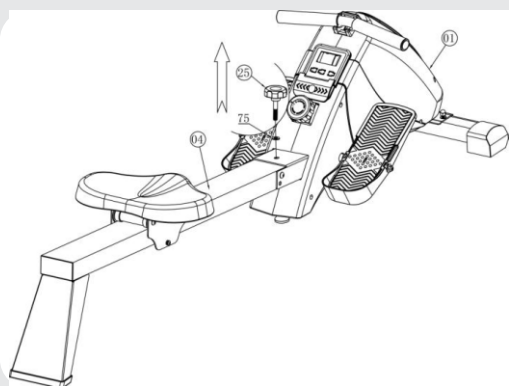
Fix the structure (04) on the main frame (01) with Screw (71), Washer (75) and Screw (62). Put the knob (25) and washer (75) to lock them.

STEP 3

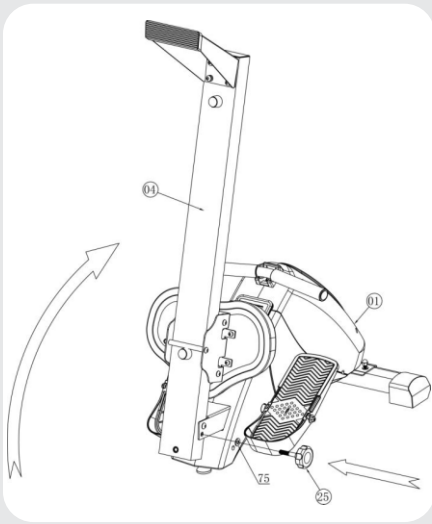


Insert the Axle for Pedal (24) to the Main Frame (01), through the Plastic Bushing (13), fix the pedal (23) with Washer (74) and Nut (64).

EASY STORAGE SYSTEM

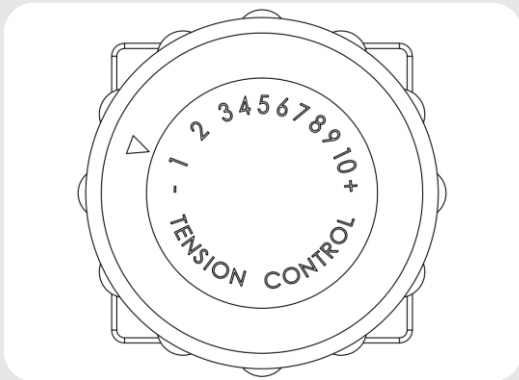


Remove the Plum Knob (25) and the Washer (75) from the Main Frame (01)



Pull the Rail Tube Set (04) in towards the main housing unit and replace the Plum Knob (25) and Washer (74) to keep the rower in a folded position.

TENSION CONTROL



The user can adjust the effort. This item has ten level tension control.

KNOW THE MONITOR AND ENJOY BETTER YOUR EQUIPMENT

FUNCTIONAL BUTTONS

MODE - Push down for selecting functions. If the long time holds down MODE button down for resetting time, count and calories.

SET - To set the values of time, count and calories when not in scan mode.

RESET - Push down for resetting time, count and calories.

FUNCTION AND OPERATIONS

1. SCAN: Press "MODE" button until "SCAN" appears, monitor will rotate through all the 5 functions: Time, Count, T Count, RPM, Calorie, each display will be hold 4 seconds.

2. TIME: 1. Count the total time from exercise start to end.

2 Press "MODE" button until "TIME" appears, press "SET" button to set exercise time. When the "SET" is zero, the computer will stop 1 second after the start of the time.

3. COUNT: 1. Accumulate the steps while exercising.

2. Press "MODE" button until "Count" appears, press "SET" button to set exercise Count. When the "SET" is zero, the computer will stop about 1 second after the start of the time.

4. T.COUNT: Display the steps you have exercised.

5.DIST:The current status of the traveled distance is displayed.

6.CALORIES: 1. Count the total calories from exercise start to end.

2. Press "MODE" button until "CAL" appears, press "SET" button to set exercise calories. When the "SET" is zero, the computer will stop about 1 seconds after the start of the time.

NOTE:

1. If the display is faint or shows no figures ,please replace the batteries.

2. The monitor will automatically shut off if there is no signal received after 4 minutes.

3. The monitor will be auto-powered on when starting to exercise push button with signal in.

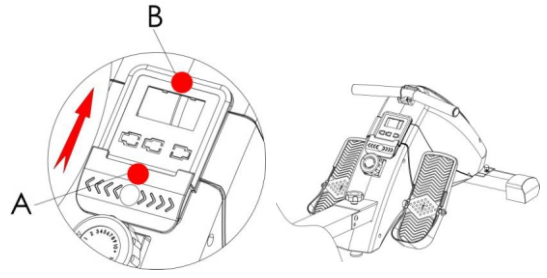
4. The monitor will automatically start calculating when you start to exercise and will stop calculating when you stop exercising for 4 seconds.

SPECIFICATIONS

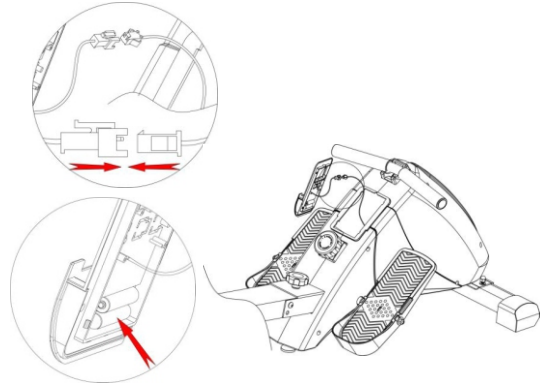
FUNCTION	AUTO SCAN	Every 4 seconds
	TIME	00:00 ~9:59
	COUNT	0 - 9999
	T. COUNT	0 - 9999
	CALORIES	0.0 ~999.9 k/cal
	DIST	0 - 9999
BATTERY TYPE	2 pcs AAA	
OPERATING TEMPERATURE	0°C ~ +40°C	
STORAGE TEMPERATURE	-10°C ~ +60°C	

COMPUTER BATTERY INSTALL

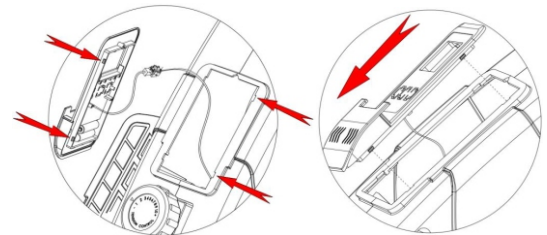
Hold the electronic A and B two points, push up the computer. Pull out the computer when the buckle is removed from the mainframe.



After unpacking the computer, note the signal line head. Install the battery and check if the signal cable plug is on the right plug direction before install the computer back. See the picture.



When reload the computer, install the computer's four buckles into the four grooves at the main frame, Gently push forward to the right position then pull the computer. It is done.



WARRANTY

General Warranty Terms

- a. The warranty will be carried out only upon presentation of the original bill of sale/receipt, and within the time limits set out in this Agreement. The warranty is provided by the Authorised Technical Service.
- b. The conditions set out in this Agreement are guaranteed to the first user purchaser of this product for a period of one (1) year (including the legal guarantee period - first 90 (ninety) days counted from the date of issuance of the note / tax coupon sale, in case of exclusively residential use.
- c. Warranty periods and coverage starting from the date of issuance of the note / tax coupon sale, including the statutory period of ninety (90) days:

PARTS AND COMPONENTS	WARRANTY TIME
Structure	1 year
Painting (oxidation)	1 year
Monitor	1 year
Strain control motor	1 year
Belt	90 days
Cover	1 year
Plastic parts and rubber	1 year
Pedals	1 year
Reactor	1 year
Manpower	1 year
Manufacturing defects	1 year
Technical displacement	30 days

- d. Parts repaired or replaced under this warranty does not stop nor extend the warranty period originally stipulated.
- e. To utilize this warranty, the equipment must have been installed by Authorised Technical Service, except for residential products.
- f. The warranty does not cover installation and preventive maintenance services such as cleaning, lubrication and adjustment of the product.
- g. No dealer is authorized to receive client product from a customer to send it to the support or to return to it and provide information in the name of Manufacturer / Supplier about the progress of the service. The Manufacturer / Supplier or Authorised Technical Service will not be responsible for any damage or delay because of this non-compliance.
- h. The Manufacturer / Supplier will hold a spare parts inventory until they cease the manufacture or import the equipment. If ceased the production or import of the equipment the Manufacturer / Supplier spare supply its line of equipment for a reasonable period of time, according to the law.
- i. Within the period of 30 (thirty) days if the equipment presents some functional problem, the customer may choose to take the product to an authorized posts or requesting service in

- your home without travel expenses in those municipalities covered by the Authorised Technical Service. After the period of thirty (30) days or municipalities not covered by the Authorised Technical Service expenses resulting from any transport or equipment to a freight service, displacement or technical visit by qualified assistant, are due to the customer, whether or not this equipment covered by this warranty.
- j. Lubricants, silicones for treadmills, vaseline to the guide weights and micro oil to the joints of weight stations, should be exclusively recommended by the manufacturer, available in the Authorised Technical Service.
- k. Components that wear out with regular use of equipment such as motor brushes, belts, pads, brake bands, felt, steel chains and cables, when present in the equipment, will guarantee for a period of 90 days from the invoice or manufacturing defect found by the Authorised Technical Service.

End of Warranty

This warranty will be considered void when:

- a. The normal period of its validity.
- b. The equipment is delivered for repair by anyone not authorized by Manufacturer / Supplier, signals are checked violation of its original features or assembly outside the factory default.
- c. Damage that it will suffer as a result of misuse, use of improper cleaning products, oxidation originating from external agents, weathering, neglect, modification, use of accessories not recommended, bad design for the application for which it is, falls, perforations, use and installation not in accordance with the instruction manual, wiring unfit tensions, ungrounded in bad sized grids and / or excessive fluctuations and overloads.
- d. For residential line is forbidden any type of user equipment maintenance or a third party other than the Authorised Technical Service.
- e. The product is used in saunas, submerged in water or any use so that it resembles that does not application or purpose for which it is intended.

Observations

- a. Cables, carabiners, pedals when existing in the product must be replaced once a year.
- b. The Manufacturer / Supplier is not responsible for any accidents and their consequences, arising from breach of the original features or assembly outside the factory default of their equipment.
- c. Customer's responsibility are the costs of unfounded judged call answering.

Note: The Manufacturer / Supplier reserves the right to make changes without notice this.



INFORMACIÓN DE SEGURIDAD

Lea este manual antes de utilizar el producto y guárdelo para consultarlo en el futuro, evitando los riesgos de calentamiento, incendio, descargas eléctricas o lesiones. El propietario es responsable de asegurar que todos los usuarios de los equipos estén adecuadamente informados sobre las precauciones de seguridad.

Consideraciones Generales

- Coloque el equipo sobre una superficie plana por lo menos 30 cm de distancia de cualquier pared, manteniendo libre de cualquier obstáculo.
- Nunca permita el uso del equipo por más de una persona a la vez.
- Este producto no está destinado a ser utilizado por personas (incluidos niños) con alguna disminución de la capacidad física, sensorial o mental, la falta de experiencia y conocimiento, a menos que se han dado las instrucciones adecuadas de uso del producto y está bajo el cuidado de un persona responsable de su seguridad. Los niños deben ser observados para que no jueguen con el producto, sea o no en uso.
- Consulte a su médico antes de iniciar y durante cualquier programa de ejercicios. Especial atención se debe dar a los niños, mujeres embarazadas, ancianos, personas con problemas de corazón y las personas con discapacidad.
- Mantener alejado de los equipos, los niños y los animales domésticos, sobre todo durante el uso y no entrar o salir de los objetos en las aberturas del equipo.
- Utilizar ropa deportiva adecuada. No use ropa suelta que pueda ser conectado al equipo. Siempre use zapatillas de deporte para hacer ejercicio. No camine descalzo o con sandalias.

Conservación y limpieza

- Periódicamente asegúrese de que el equipamiento está en buenas condiciones verificando las conexiones y elementos de fijación.
- La limpieza de su equipo debe ser realizada apenas con un paño humedecido en agua. Nunca use abrasivos, alcohol o solvente para la limpieza.
- No deje el equipamiento expuesto a agentes naturales como: luz solar, lluvia, rocío, polvo, mareas, etc.
- Use siempre piezas originales para reposición.
- La conservación / manutención incorrecta podrá acarrear daños al producto, así como la pérdida de la garantía.

Observaciones

- A. El cliente es responsable de los costes derivados de contestar llamadas juzgadas infundadas.
- B. Ningún distribuidor o servicio técnico autorizado de servicio está autorizado a cambiar estos Términos o compromisos con el fabricante.
- C. El fabricante no se responsabiliza de los accidentes y sus consecuencias, derivada del incumplimiento de las características originales o montaje fuera de la norma de su fábrica de productos.

NOTA: Los dibujos y fotos contenidas en este manual son meramente ilustrativas. El fabricante se reserva el derecho de cambiar las especificaciones y el diseño sin previo aviso. Este manual puede ilustrar opcionales que no forman parte del equipo adquirido.

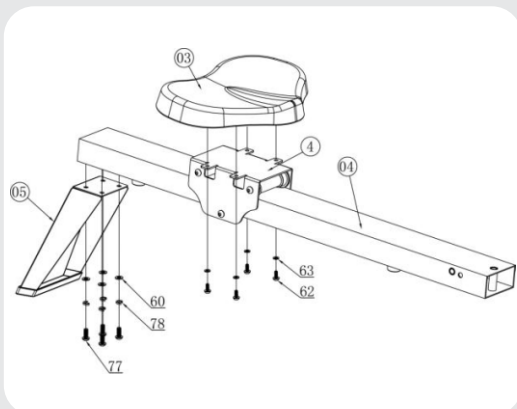
MONTAJE



NOTA: Coloque la embalaje con el equipo en una superficie plana. Se recomienda que coloque una cubierta protectora para su piso. Tenga precaución al que va a cargar y transportar el equipo. Desembale y montar el equipo donde se utilizará.

Si es necesario, pida la ayuda de otra persona.

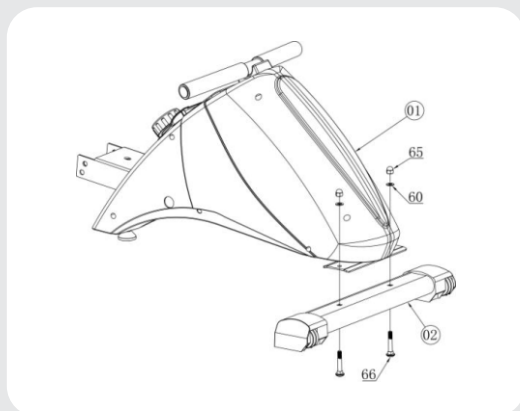
PASO 1



Fije la estructura trasera (5) con tornillo (77), arandela de resorte (78) y arandela (60) para conectar en el soporte del asineto (04) y bloquearlos.

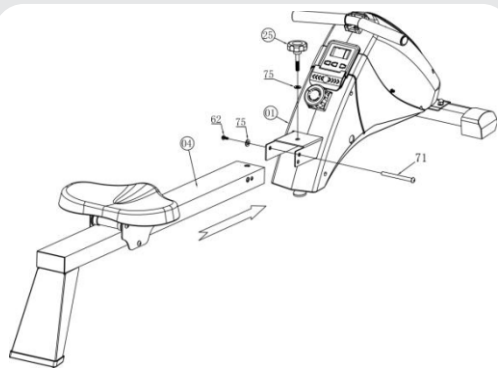
Monte el asiento (3) en el soporte (04) con tornillo (62) y arandela (63).

PASO 2



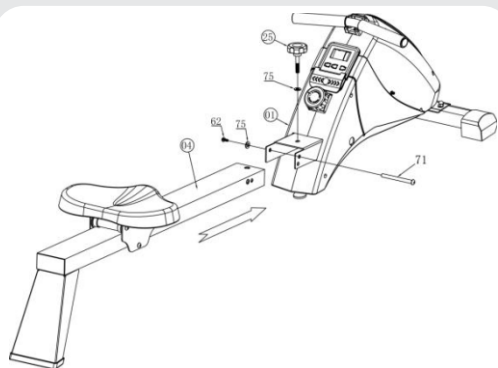
Fije el estabilizador delantero (02) a la parte inferior de la estructura principal (01) con tornillo (66), arandela (60) y tuerca ciega (65).

PASO 3



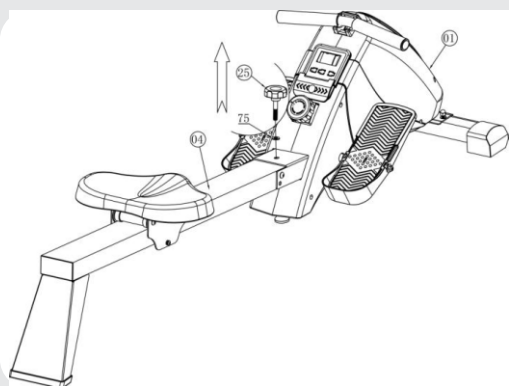
Fije la estructura (04) en la estructura principal (01) con tornillo (71), arandela (75) y tornillo (62). Coloque la perilla (25) y la arandela (75) para bloquearlos.

PASO 3

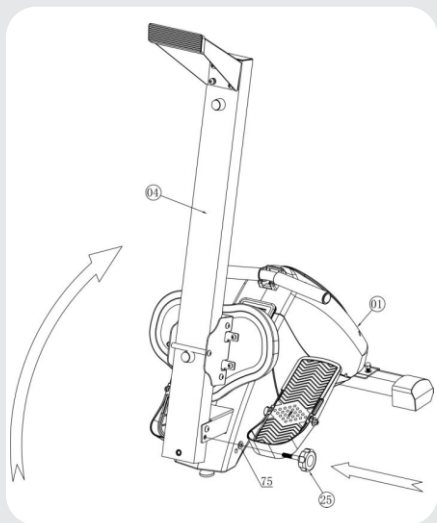


Inserte el eje del pedal (24) en la estructura principal (01), a través del buje de plástico (13), fije el pedal (23) con la arandela (74) y la tuerca (64).

SISTEMA DE ALMACENAMIENTO FÁCIL

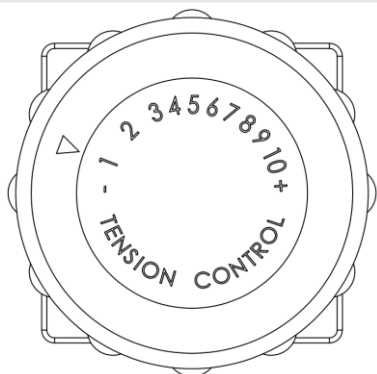


Retire la Perilla (25) y la Arandela (75) del Marco Principal (01)



Tire del conjunto de tubo (04) hacia la unidad de alojamiento principal y vuelva a colocar la perilla (25) y la arandela (74) para mantener al remo plegado.

CONTROL DE TENSION



El usuario puede ajustar el esfuerzo. Este artículo tiene control de tensión de diez niveles.

CONOCE EL MONITOR Y DISFRUTE MEJOR DE SU EQUIPO

LOS BOTONES

MODE - Presione hacia abajo para seleccionar funciones. Mantiene presionado el botón MODE para restablecer el tiempo, el conteo y las calorías.

SET - Para establecer los valores de tiempo, conteo y calorías cuando no está en modo de escaneo.

RESET - Presione hacia abajo para restablecer el tiempo, el conteo y las calorías.

FUNCIÓN Y OPERACIONES

1. SCAN: Presione el botón "MODE" hasta que aparezca "SCAN", el monitor rotará a través de las 5 funciones: tiempo, recuento, conteo T, RPM, calorías, cada pantalla se mantendrá durante 4 segundos.

2. TIME: 1. Cuente el tiempo total desde el comienzo del ejercicio hasta el final.

2. Presione el botón "MODE" hasta que aparezca "TIME", presione el botón "SET" para configurar el tiempo de ejercicio. Cuando "SET" es cero, el monitor se detendrá 1 segundo después del inicio del tiempo.

3. COUNT: 1. Acumula los pasos mientras haces ejercicio.

2. Presione el botón "MODE" hasta que aparezca "Count", presione el botón "SET" para configurar el conteo de ejercicios. Cuando "SET" es cero, el monitor se detendrá aproximadamente 1 segundo después del inicio del tiempo.

4. T. COUNT: Muestra los pasos que has realizado.

5. DIST: Muestra el estado actual de la distancia recorrida.

6. CALORIES: 1. Cuente las calorías totales del ejercicio de principio a fin.

2. Presione el botón "MODE" hasta que aparezca "CAL", presione el botón "SET" para configurar las calorías del ejercicio. Cuando "SET" es cero, el monitor se detendrá aproximadamente 1 segundo después del inicio del tiempo.

NOTA:

1. Si la pantalla es débil o no muestra figuras, reemplace las baterías.

2. El monitor se apagará automáticamente si no recibe señal después de 4 minutos.

3. El monitor se encenderá automáticamente cuando comience a presionar el botón con la señal adentro.

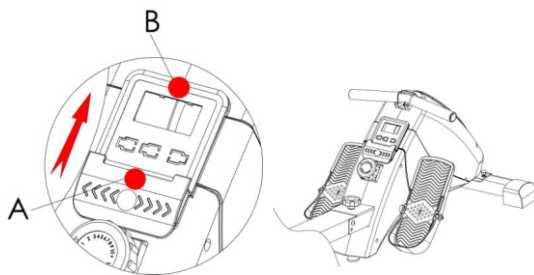
4. El monitor comenzará automáticamente a calcular cuándo comenzará a hacer ejercicio y dejará de calcular cuándo deja de hacer ejercicio durante 4 segundos

ESPECIFICATIONS

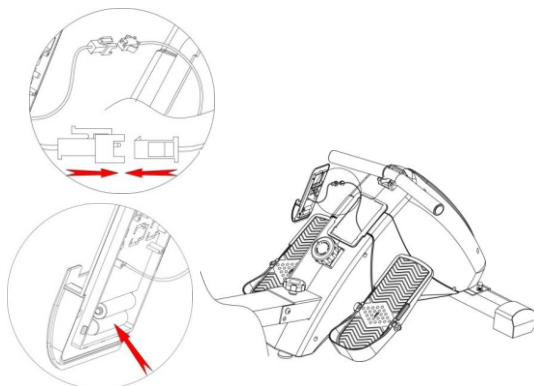
FUNCIÓN	AUTO SCAN	Cada 4 segundos
	TIEMPO	00:00 ~9:59
	CONTAR	0 - 9999
	T. CONTAR	0 - 9999
	CALORIAS	0.0 ~999.9 k/cal
	DISTANCIA	0 - 9999
TIPO DE BATERÍA	2 pcs AAA	
TEMPERATURA DE FUNCIONAMIENTO	0°C ~+40°C	
TEMPERATURA DE ALMACENAMIENTO	-10°C ~+60°C	

INSTALACIÓN DE LA BATERÍA EN EL MONITOR

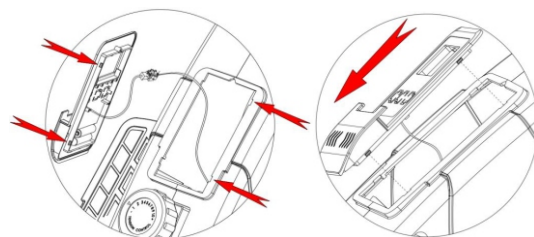
Mantenga los puntos electrónicos A y B, empuje hacia arriba el monitor. Saque el monitor cuando se quite la hebilla de la estructura principal.



Después de desempacar la computadora, observe el cabezal de la línea de señal. Instale la batería y verifique si el enchufe del cable de señal está en la dirección correcta antes de volver a instalar el monitor. Mira la foto.



Cuando vuelva a cargar el monitor, instale las cuatro hebillas del monitor en las cuatro ranuras del marco principal, suavemente empuje hacia adelante hasta la posición correcta y luego tire el monitor. Se hace .



GARANTÍA

Condiciones Generales de la Garantía

- a. La atención en garantía será realizada solamente mediante la presentación de la factura/cupón fiscal original de venta y en los límites establecidos por este término. La garantía será prestada por la Red de Asistencia Técnica Autorizada Universal Fitness, que cubre las principales ciudades del país.
- b. Las condiciones establecidas en el presente Acuerdo se garantizan al primer comprador usuario de este producto por un período de un (1) año (incluyendo el período de garantía legal - primeros 90 (noventa) días contados a partir de la fecha de emisión de la venta de cupones de la nota / de impuestos, en caso de uso exclusivamente residencial.
- c. Los períodos de garantía y la cobertura a partir de la fecha de emisión de la venta de cupones de la nota / de impuestos, incluyendo el plazo estatutario de los noventa (90) días:

PIEZAS Y COMPONENTES	PERÍODO DE GARANTÍA
Estructura	1 año
Pintura (oxidación)	1 año
Monitor	1 año
Motor regulador de esfuerzo	1 año
Correa	90 días
Carenado	1 año
Piezas de plástico y de caucho	1 año
Pedales	1 año
Reactor	1 año
Mano de obra	1 año
Defectos de fabricación	1 año
Desplazamiento técnico	30 días

- d. Las piezas reparadas o cambiadas bajo esta garantía no se detiene ni se extienden el período de garantía estipulado inicialmente.
- e. Para utilizar esta garantía, el equipo debe haber sido instalado por el asistente técnico autorizado Universal Fitness, a excepción de los productos residenciales.
- f. La garantía no cubre los servicios de instalación y mantenimiento preventivo, como la limpieza, lubricación y ajuste del producto.
- g. Ningún revendedor está autorizado a recibir producto de cliente para encaminarlo a la Asistencia Técnica Autorizada Universal o de esta retirarlo para devolución al mismo proporcionar informaciones en nombre de Universal Fitness sobre el progreso del servicio. Universal Fitness no se responsabilizará por cualquier daño o retraso debido a este incumplimiento.
- h. Universal Fitness mantendrá disponibles los repuestos hasta que dejen de fabricar o importar el equipo. Si cesado la producción o importación de los equipos para mantener el suministro de repuesto Universal Fitness su línea de equipos para un período de tiempo razonable, de acuerdo con la ley.
- i. Dentro del plazo de 30 (treinta) días si el equipo presenta algún mal funcionamiento, el cliente puede optar por llevar el producto a un puestos autorizados o servicios que solicite en su

- casa sin gastos de viaje en los municipios incluidos en la Red de Asistencia Técnica Autorizada Universal Fitness. Transcurrido el plazo de treinta (30) días o municipios no incluidos en la Red de Asistencia Técnica Autorizada Universal Fitness los gastos resultantes de cualquier transporte o el equipo a un servicio de carga, desplazamiento o visita técnica por ayudante cualificado, se deben a la cliente, si este equipo cubierto por esta garantía.
- j. Lubricantes, siliconas para caminadoras, vaselina para los pesos de guía y micro aceite a las articulaciones de las estaciones de peso, se recomienda exclusivamente por el fabricante, disponible en la Red de Asistencia Técnica Universal Fitness.
- k. Los componentes que se desgastan con el uso regular de los equipos, tales como escobillas del motor, correas, pastillas, bandas de freno, fieltro, cadenas y cables de acero, cuando está presente en el equipo, garantizan por un período de 90 días a partir de la factura o defecto de fabricación, apreciada por la Red de Asistencia Técnica Autorizada Universal Fitness.

Extinción de la Garantía:

Esta Garantía será considerada sin efecto cuando:

- a. Haya transcurrido normalmente el plazo de su validez.
- b. El equipamiento fuere entregado para reparación de las personas no autorizadas por Universal Fitness, fueren verificados signos de violación de sus características originales o montaje fuera del nivel de fábrica.
- c. Hayan ocurrido daños que este venga a sufrir como consecuencia de mal uso, uso de productos de limpieza inadecuados, la oxidación de origen de los agentes externos, a la intemperie, negligencia, modificación, uso de accesorios no recomendados, mal diseño de la aplicación para la que es, caídas, perforaciones, utilizar e instalación que no esté conforme con el manual de instrucciones, cableado tensiones no aptos, sin conexión a tierra en redes de tamaño malos y / o fluctuaciones y sobrecargas excesivas.
- d. Para la línea residencial está prohibido cualquier tipo de mantenimiento de equipo de usuario o un tercero distinto de la red de asistencia técnica.
- e. El producto fuere utilizado en saunas, sumergido en agua o cualquier modo de uso que se asemeje a este que no sea la finalidad de aplicación a que se destina.

Observaciones:

- a. Cables, mosquetones, pedales cuando ya existente en el producto deben ser reemplazados una vez al año.
- b. Universal Fitness no se responsabiliza por eventuales accidentes y sus consecuencias, derivadas de la violación de las características originales o montaje fuera del estándar de fábrica de sus equipamientos.
- c. Son responsabilidad del cliente son los costos de atención de llamadas infundado juzgado.

Nota: Athletic se reserva el derecho de promover alteraciones de éste sin previo aviso.

Athletic

BEST FOR LIFE

www.athleticbrazil.com

Health tips, new products and more!
Consejos de salud, nuevos productos y más!

Technical Assistance Network and Customer Service: see website.
Red de Asistencia Técnica y Servicio al Cliente: Consulte el sitio web.

www.athletic.com.br

Dicas de saúde, novos produtos e muito mais!

Rede de Assistência Técnica e Atendimento ao Consumidor

Consulte o site ou ligue **0800 477770**