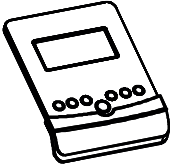




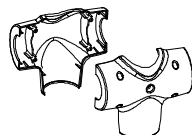
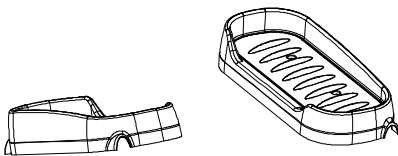
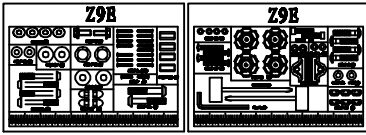
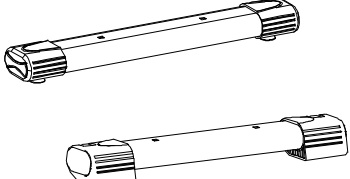
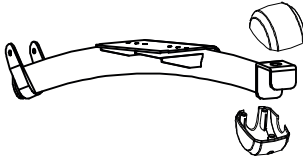

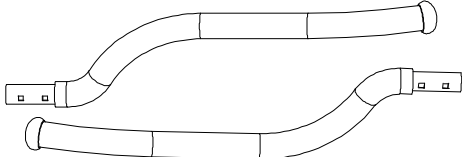

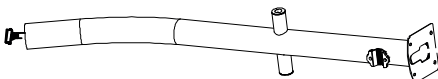
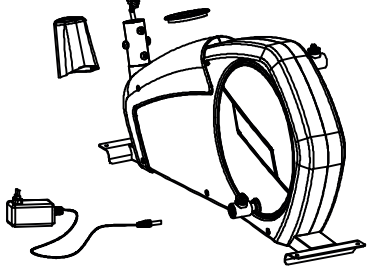
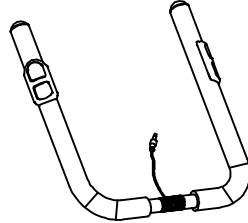
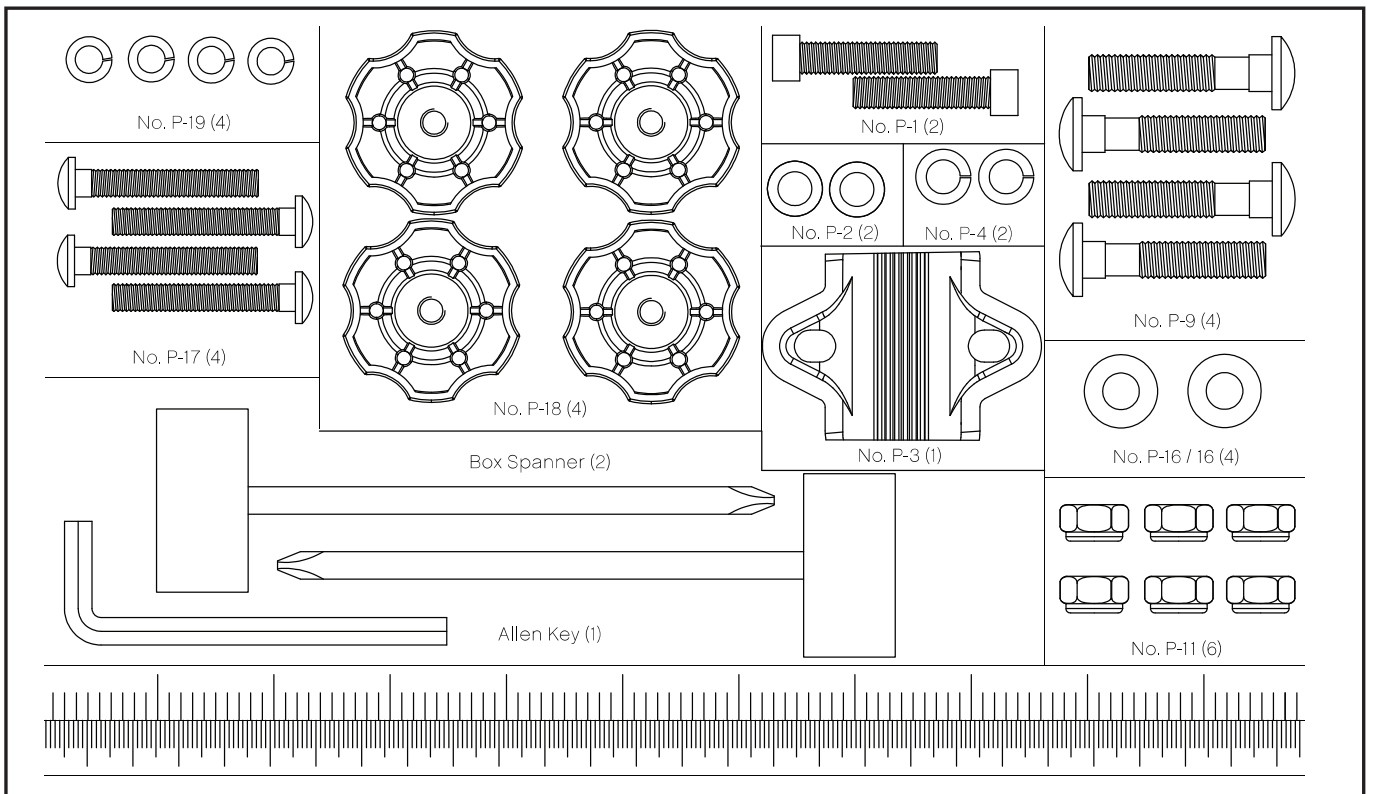
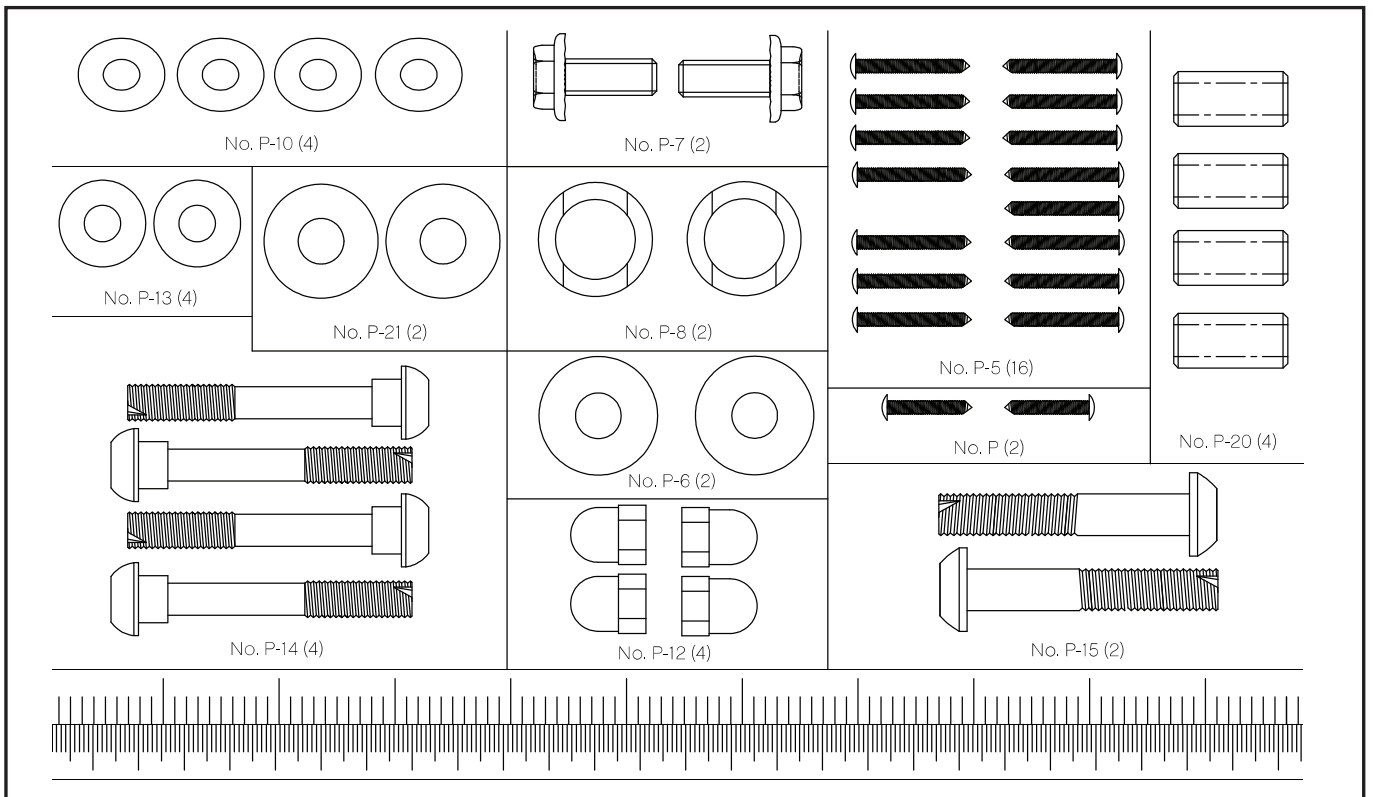


JET 100 Cross Trainer Assembly Guide

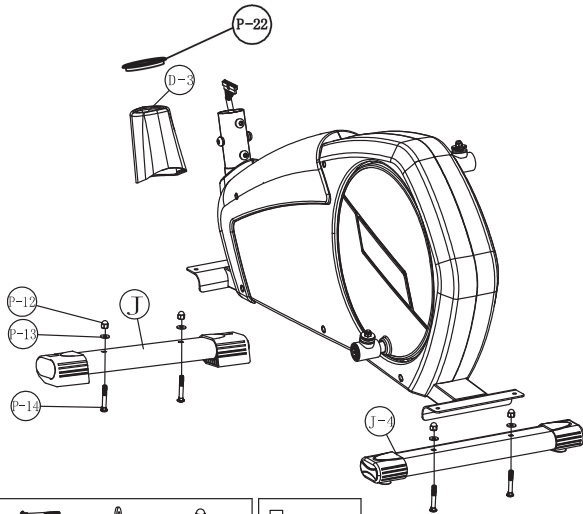


Reebok

	<p>A</p>		<p>M-8 M-9</p>
	<p>M-1 M-2</p>		<p>M-5 M-6</p>
	<p>M</p>		<p>M-3 M-4</p>
	<p>M-10 M-13</p>		
	<p>J J-4</p>		<p>L M-11 M-12</p>
	<p>L-2 M-14 M-15</p>		<p>C C-3</p>
	<p>E-L E-R</p>		<p>D</p>
	<p>F-35 D 3 F</p>		<p>B</p>

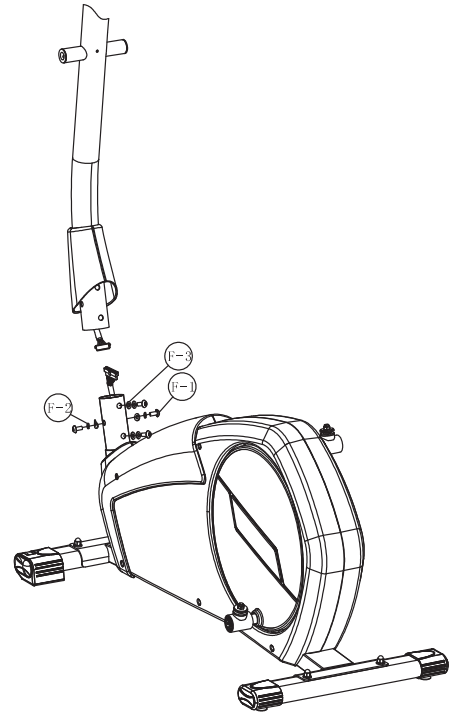


01



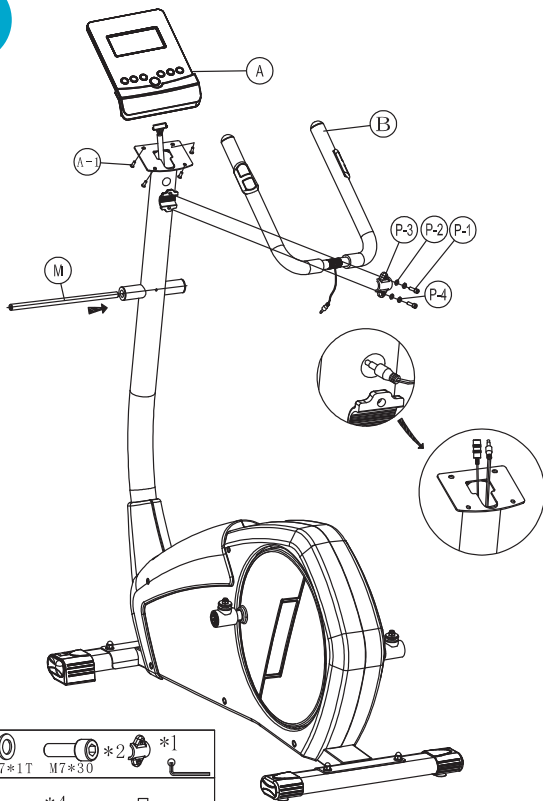
4 * M8*55L $\varnothing 8 \times \varnothing 19 \times 2T$ $\varnothing 30 \times 30L \times 2$

02



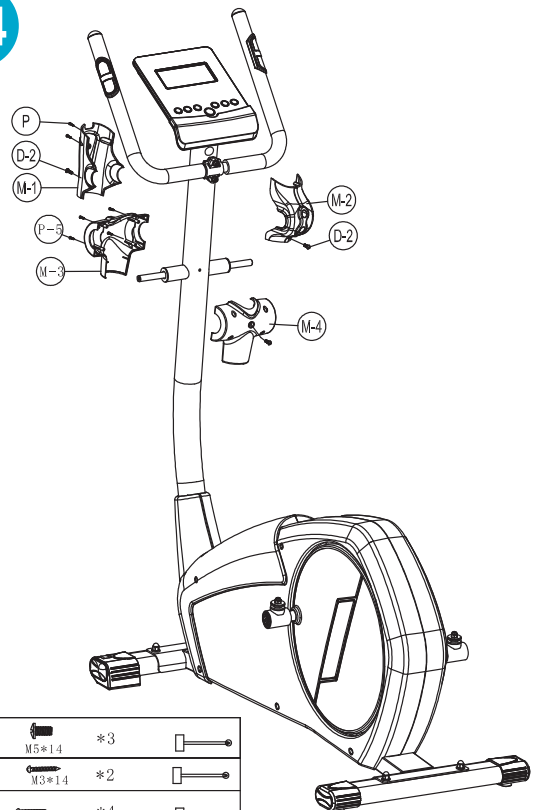
*4
M8*16L $\varnothing 8 \times 2.4$ $\varnothing 8 \times 2T$

03

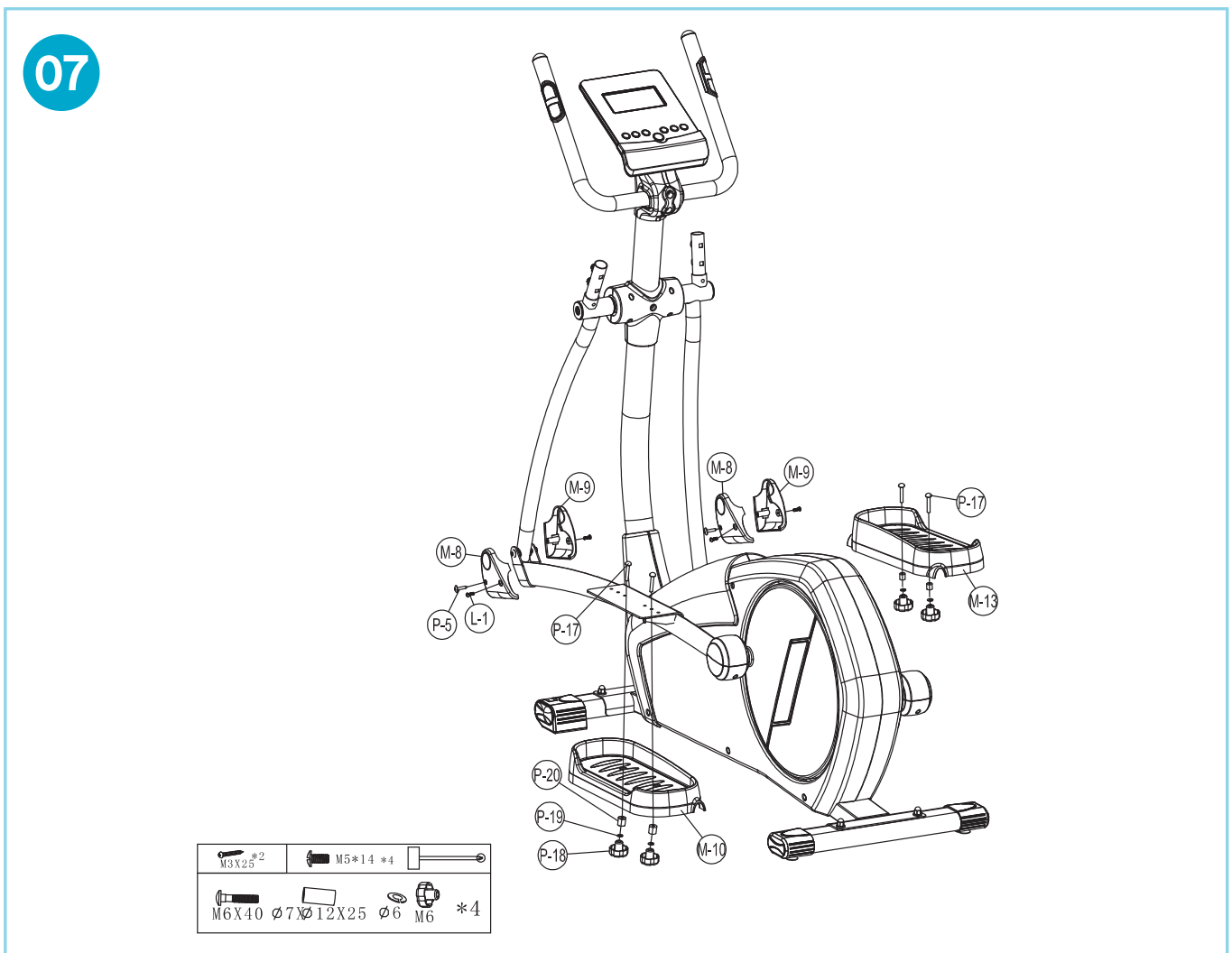
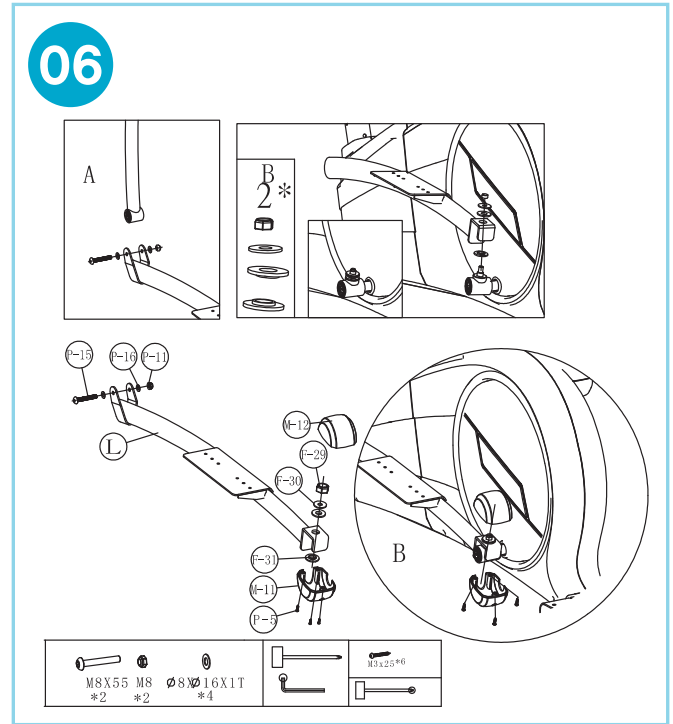
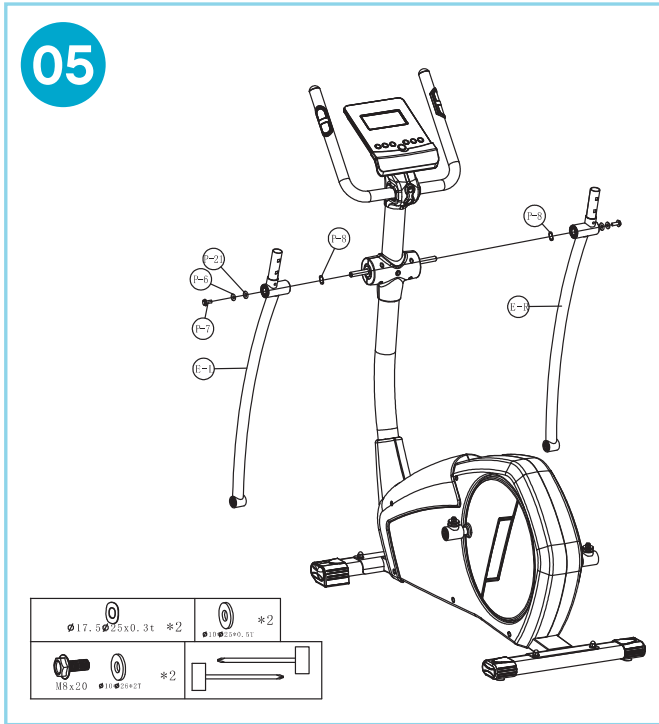


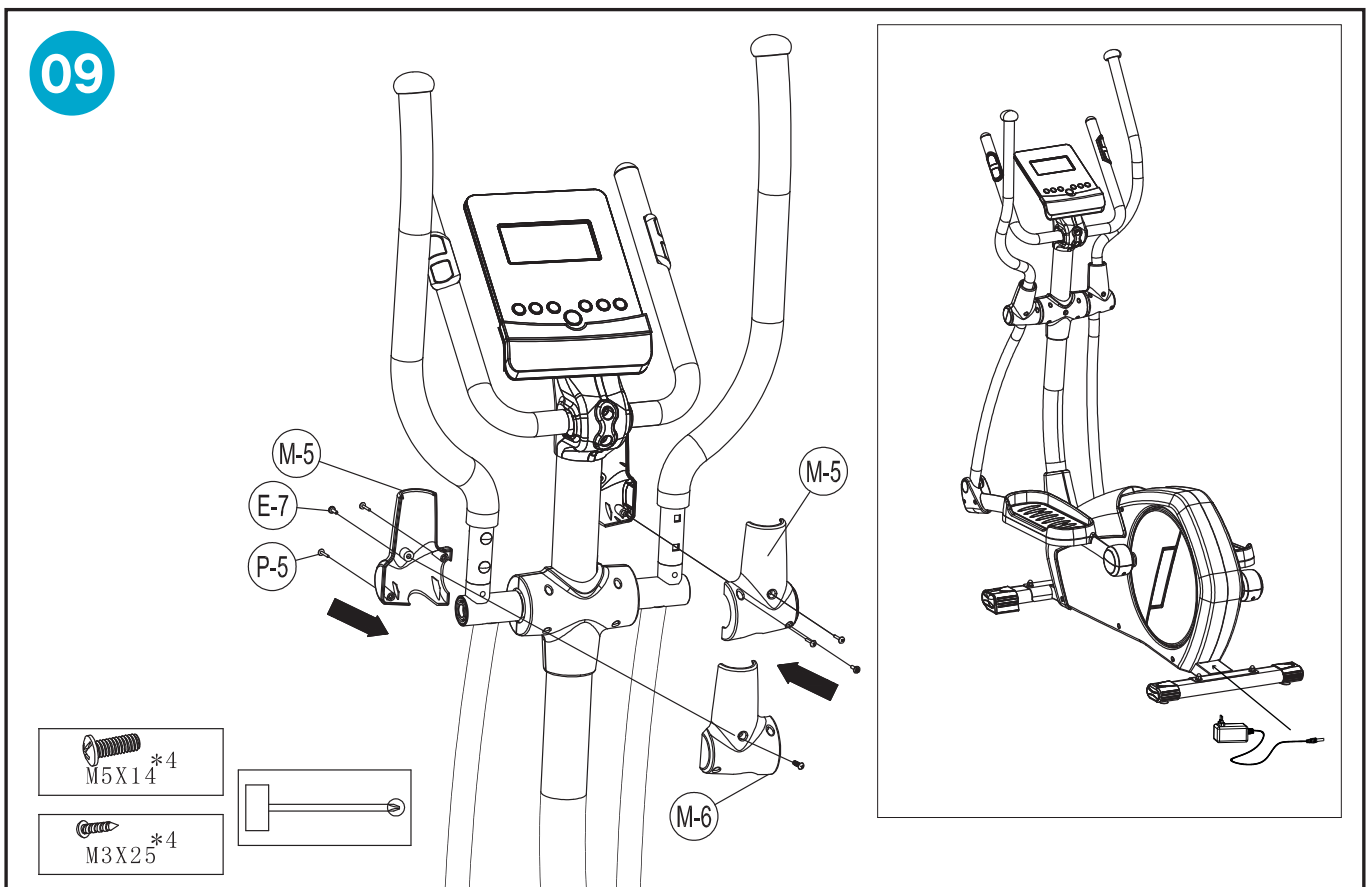
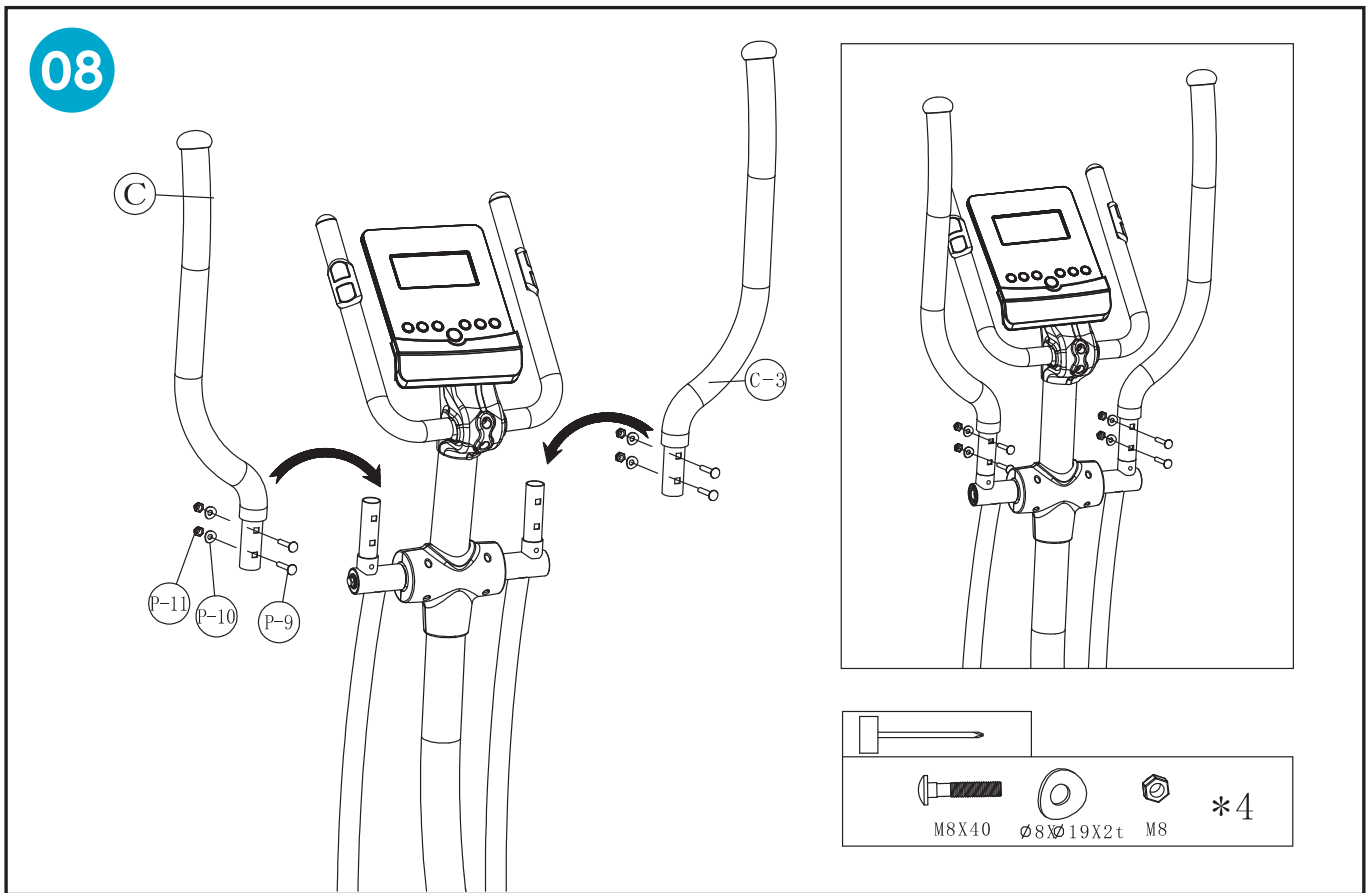
*2 *1
 $\varnothing 7 \times 2T$ $\varnothing 7 \times 1T$ M7*30
 *4

04

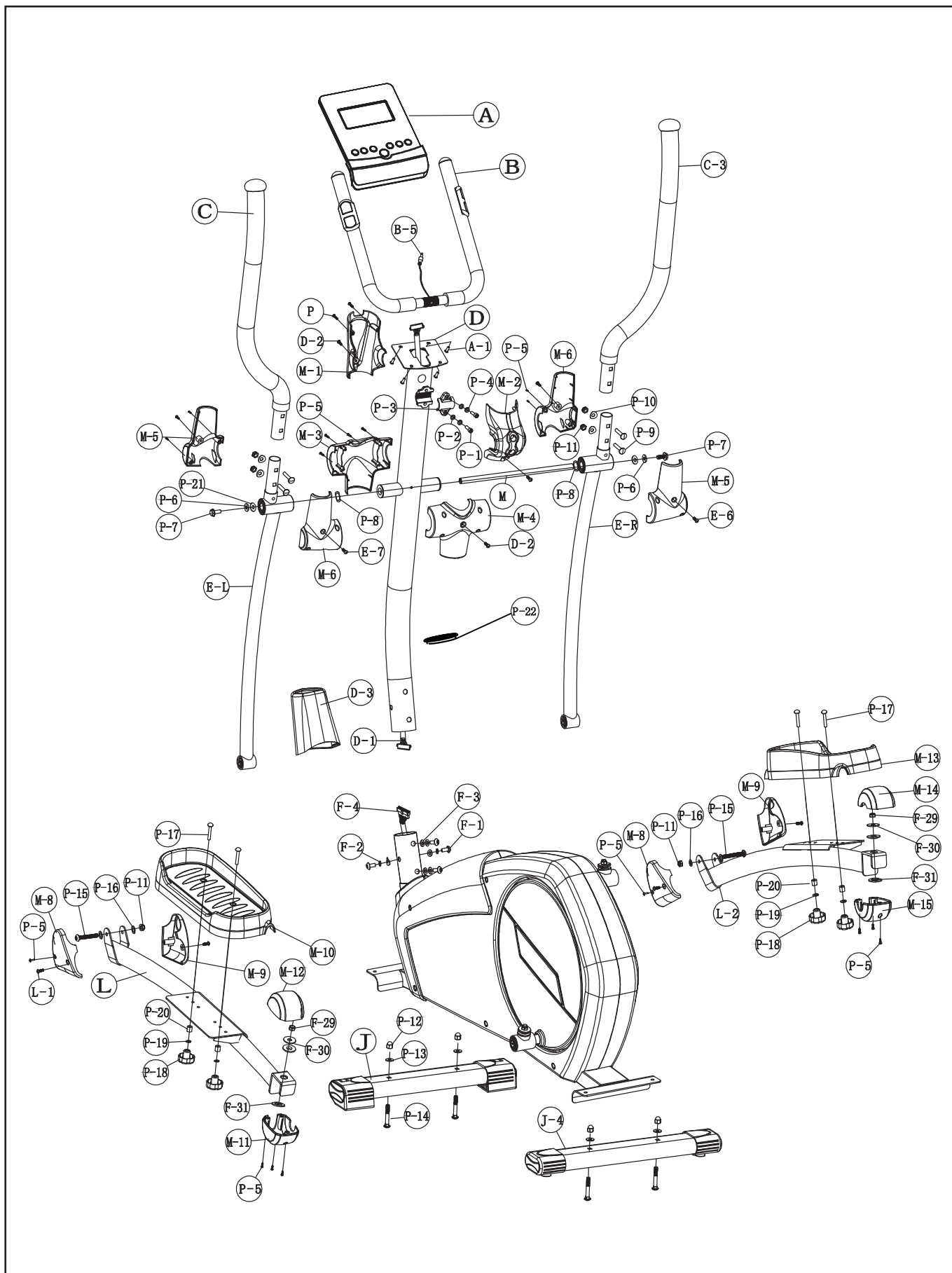


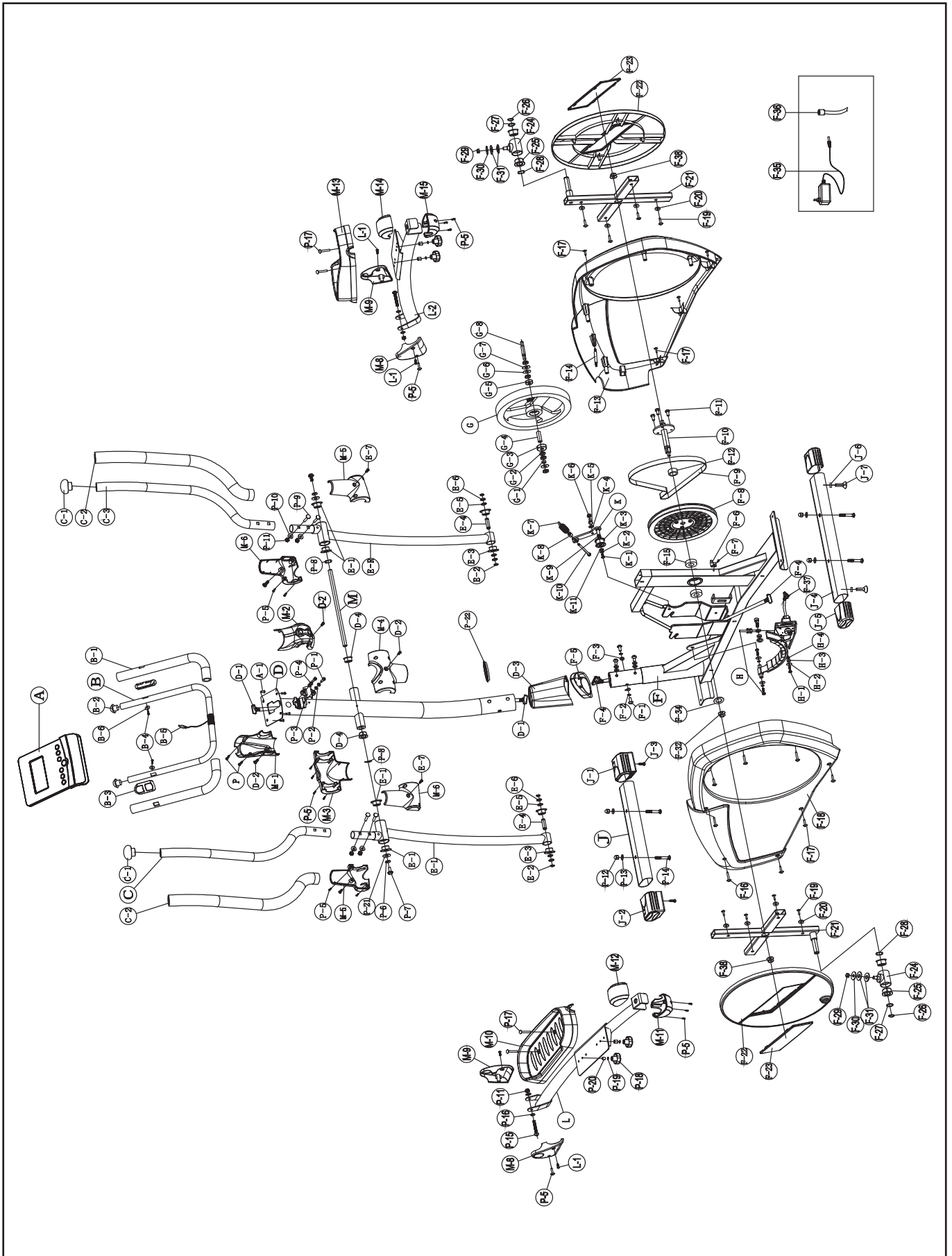
	M5*14	*3	
	M3*14	*2	
	M3*25	*4	





Exploded Diagram





No.	Description	QTY	No.	Description	QTY	No.	Description	QTY
A	Console (incl. A-1)	1	F-20	Flat washer	8	K-6	Nylon nut	1
A-1	Screw	4	F-21	Cross-brace	2	K-7	Spring	1
B	Front Handlebar set (incl. B-1-B-6)	1	F-22	Disk	2	K-8	Spring fixed base	1
B-1	Foam grip	2	F-23	Disk decorative cover	2	K-9	Curved washer	2
B-2	Handlebar end cap	2	F-24	Footplate connector	2	K-10	Screw	1
B-3	Hand pulse sensor	2	F-25	Bushing	4	K-11	Flat washer	1
B-4	Screw	2	F-26	C-clip	2	L	Footplate tube, left	1
B-5	Hand pulse wire	1	F-27	Flat washer	2	L-1	Screw	4
B-6	Washer	2	F-28	Curved washer	2	L-2	Footplate tube, right	1
C	Upper Handlebar, left (incl. C-1,2)	1	F-29	Nylon nut	2	M	Handlebar fixed shaft	1
C-1	Handlebar end cap	2	F-30	Flat washer	2	M-1	Handlebar front cover	1
C-2	Foam grip	2	F-31	Rubber washer	4	M-2	Handlebar rear cover	1
C-3	Upper Handlebar, right (incl. C-1,2)	1	F-32	Nylon nut	1	M-3	Cross tube front cover	1
D	Handlebar post	1				M-4	Cross tube rear cover	1
D-1	Cable wire, upper	1	F-34	Flat washer	1	M-5	Upper handlebar front cover	2
D-2	Screw	3	F-35	Adaptor	1	M-6	Upper handlebar rear cover	2
D-3	Handlebar post cover	1	F-36	DC Wire	1	M-8	Footplate tube, left front cover	2
D-4	Bushing	2	F-37	Cable wire, lower	1	M-9	Footplate tube, right front cover	2
E-L	Lower handlebar, left	1	F-38	Pattern nut	2	M-10	Footplate, left	1
E-R	Lower handlebar, right	1	G	Flywheel set (incl. G-1 -G-8)	1	M-11	Footplate tube rear cover, lower left	1
E-1	Bushing	4	G-1	Sleeve	1	M-12	Footplate tube rear cover, upper left	1
E-2	C-clip	4	G-2	Nut	5	M-13	Footplate, right	1
E-3	Bushing	4	G-3	Bearing	1	M-14	Footplate tube rear cover, upper right	1
E-4	Sleeve	2	G-4	Sleeve	1	M-15	Footplate tube rear cover, lower right	1
E-5	Flat washer	4	G-5	Bearing	1	P	Screw	2
E-6	Curved washer	4	G-6	Flat washer	1	P-1	Screw	2
E-7	Screw	4	G-7	Washer	2	P-2	Flat washer	2
F	Frame	1	G-8	Axle	1	P-3	Handlebar clamp	1
F-1	Screw	4	H	Magnetic bracket (incl. F-37)	1	P-4	Spring washer	2
F-2	Spring washer	4	H-1	Screw	1	P-5	Screw	16
F-3	Semi-circuit washer	4	H-2	Flat washer	1	P-6	Flat washer	2
F-4	Cable wire, middle	1	H-3	Bushing	1	P-7	Nylok screw	2
F-5	Seal	1	H-4	Nylon nut	1	P-8	Curved washer	2
F-6	Sensor fixed base (incl. F-7)	1	J	Front stabilizer (incl. J-1 - J-3)	1	P-9	Carriage bolt	4
F-7	Screw	1	J-1	End cap with transport wheel, right	1	P-10	Semi-circuit washer	4
F-8	Drive pulley	1	J-2	End cap with transport wheel, left	1	P-11	Nylon nut	6
F-9	Drive belt	1	J-3	Screw	2	P-12	Cap nut	4
F-10	Axle set	1	J-4	Rear stabilizer (incl. J-5 - J-7)	1	P-13	Flat washer	4
F-11	Screw	3	J-5	End cap	2	P-14	Carriage bolt	4
F-12	Sleeve	1	J-6	Screw nut	2	P-15	Screw	2
F-13	Side cover, right (incl. F-14)	1	J-7	Adjustable pad	2	P-16	Flat washer	4
F-14	Connecting shift	1	K	Belt tightener set (incl. K-1 - K-11)	1	P-17	Carriage bolt	4
F-15	Bearing	2	K-1	Screw	1	P-18	Footplate knob	4
F-16	Screw	4	K-2	Flat washer	1	P-19	Spring washer	4
F-17	Screw	8	K-3	Jockey wheel	1	P-20	Sleeve	4
F-18	Side cover, left	1	K-4	Flat washer	1	P-21	Washer	2
F-19	Screw	8	K-5	Screw	1	P-22	Rubber silicone	1

