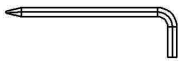
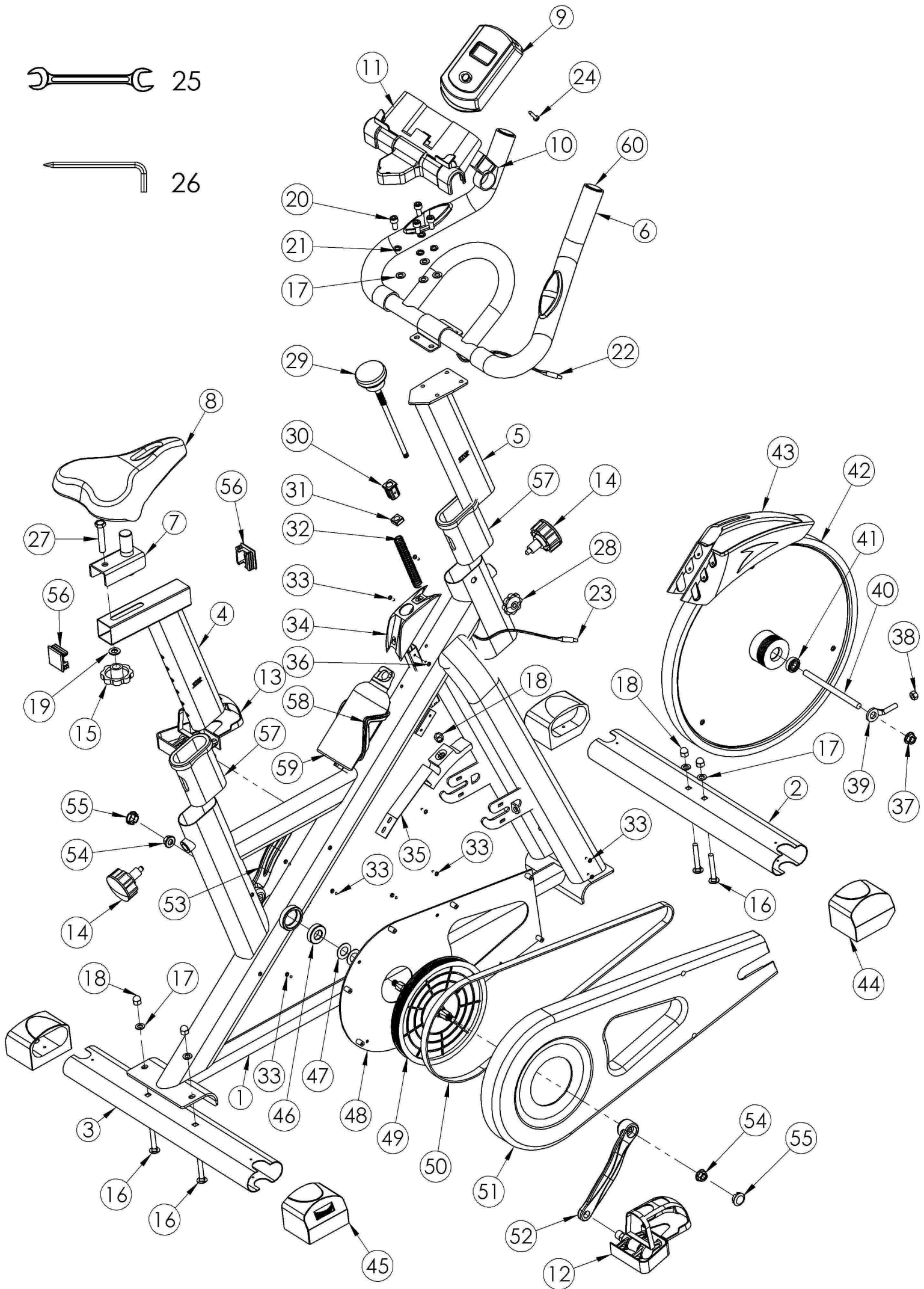




25



26



PARTS LIST

NO.	NAME	SIZE	QTY.	NO.	NAME	SIZE	QTY
1	Main Body	Assembly	1	32	Brake spring	Φ1.2*120	1
2	Front Stabilize	Assembly	1	33	Self tapping screw	M4*15	23
3	Rear Stabilizer	Assembly	1	34	Brake cover		1
4	Saddle Post	Assembly	1	35	Brake pads		1
5	Handle Post	Assembly	1	36	Cross screw	M4*6	2
6	Handle Frame	Assembly	1	37	Hexagon nut	M10*1.0	2
7	Saddle Adjustment Frame	Assembly	1	38	Hexagon nut	M8	2
8	Saddle	Spring loaded	1	39	Jack screw	M8	2
9	Monitor	Square	1	40	axis	Φ10*155	1
10	Monitor Holder	fit for Φ25tube	1	41	Bearing	6300	2
11	Mobile phone holder	fit for Φ25tube	1	42	free wheel	Φ420	1
12	Right pedal	R	1	43	Wheel housing		1
13	Left pedal	L	1	44	Front foot pad	40*80	2
14	Adjusting knob	M16	2	45	Rear foot pad	40*80	2
15	Adjusting nut	M10	1	46	Bearing	6003	2
16	Carriage Bolts	M8X50	4	47	Spring pad	Φ17	2
17	Flat washer	Φ8.5	8	48	Chain cover base plate		1
18	Cover nut	M8	4	49	pulley	Φ200	1
19	Flat washer	Φ10.5	1	50	Belt	500J	1
20	Button head bolt	M8X16	4	51	Chain cover		1
21	Spring washer	Φ8.5	4	52	Right crank	165	1
22	Pulse Wire		1	53	Left crank	165	1
23	Signal Wire		1	54	Flange nut	M10*1.25	2
24	Self tapping screw	ST4X14	1	55	Crank plug		2
25	Open wrench	13-15	1	56	Pipe plug	38*38	2
26	Inner hexagon spanner	6mm	1	57	Hollow sleeve	40-80	2
27	six angle bolts	M10X55	1	58	Kettle rack		1
28	Adjusting nut	M8	1	59	kettle		1
29	Brake lever	M10	1	60	Pipe plug	Φ25	2
30	Brake sleeve	Φ10	1				
31	Square nuts	M10	1				